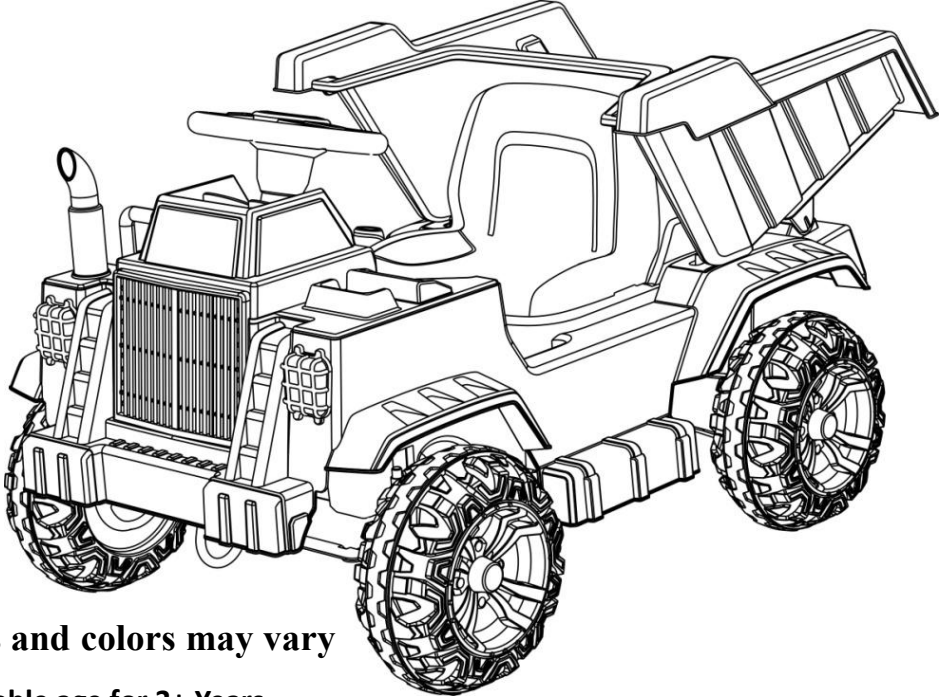


# PLEASE READ THE INSTRUCTIONS



**Styles and colors may vary**

- ◎ Suitable age for 3+ Years
- ◎ Maximum user weight: 30kg
- ◎ Adult assembly required

## **OWNER'S MANUAL** with Assembly Instructions

**Read and understand this entire manual before using!**

**Please keep this manual for future reference as it contains important information.**

**Before first time use, charge the battery for at least 4-6 hours.**

# 1. Specification

On the purchase of your new Ride-On

Suitable age	37-96 months
Load Capacity	Under 30KG
Speed	3-5km/hr
Charge time	8-12 hours
Size of car	108×64×59cm
Battery life	300 recharges
Power way	Charging type

## BATTERY INFORMATION

- Non-rechargeable batteries are not to be recharged.
- If removable rechargeable batteries are used, they are only to be charged under adult supervision.
- Remove rechargeable batteries from the product before charging.
- Do not mix old and new batteries. Do not mix different types of batteries: alkaline, standard (carbon-zinc) or rechargeable (nickel-cadmium).
- Insert batteries as indicated inside the battery compartment, anode to anode, cathode to cathode.
- Remove batteries during long periods of non-use. Always remove exhausted batteries from the product. Battery leakage and corrosion can damage this product. Dispose of batteries safely.
- Never short circuit the battery terminals

## 2. Parts List

Number	Name	Quantity	Remark
		Two motors	
1	Car bucket	1	
2	Seat (plastic) / (leather)	1	choose
3	Steering wheel	1	
4	Steering wheel trim	1	
5	Chimney	1	
6	Front wheels	2	
7	Rear wheels	2	
8	Wheel cap	4	
9	Steering iron	1	
10	Steering rod	1	
11	Rear axle	1	
12	Driving motor	2	Left / Right
A	Ø10 nuts	4	Install on the front and rear axles
B	Ø10 gasket	8-9	
C	M4×12 screw	8-9	Seat *2/ Car bucket *5
D	Ø8 gasket	1	Install on the Steering wheel
E	Ø8 nuts	1	Install on the Steering wheel
F	Cotter pin	1	Install on steering rod

### ✳️ Assembly tools required



Screwdriver  
(not included)

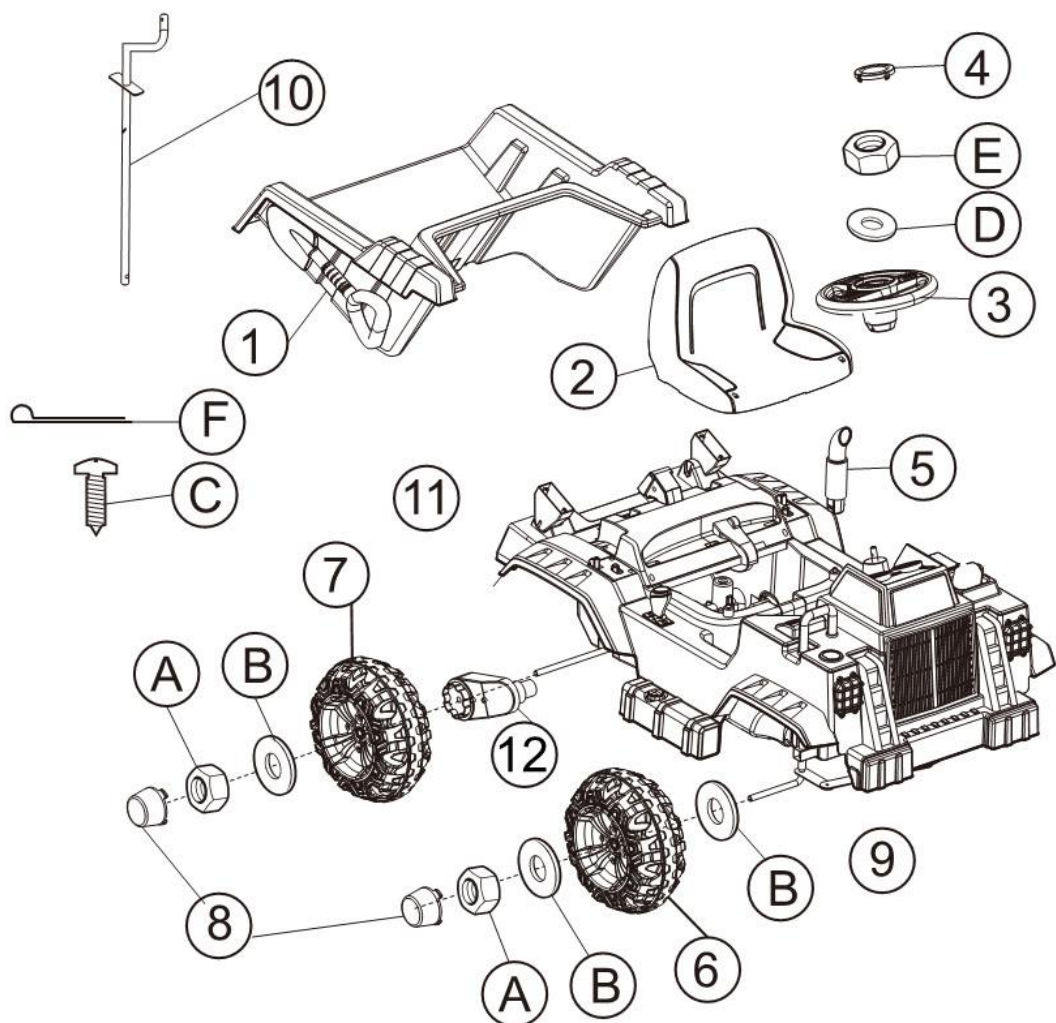


M8 spanner  
( included)



Spanner  
( included)

### 3. Parts Diagram



## 4. Safety



### **PREVENT INJURIES AND DEATHS:**

- **NEVER LEAVE CHILD UNATTENDED. ADULT DIRECT SUPERVISION IS REQUIRED.** Always keep child in view when child is in vehicle.
- This toy should be used with caution since skill is required to avoid falls or collisions causing injury to the user or third parties.
- Protective equipment should be worn.
- Never use in roadways, near cars, on or near steep inclines or steps, swimming pools or other bodies of water.
- Always wear shoes, always sit on the seat.

**CHOKING HAZARD!** NOT suitable for children under 37 months.

● **ADULT ASSEMBLY REQUIRED.**

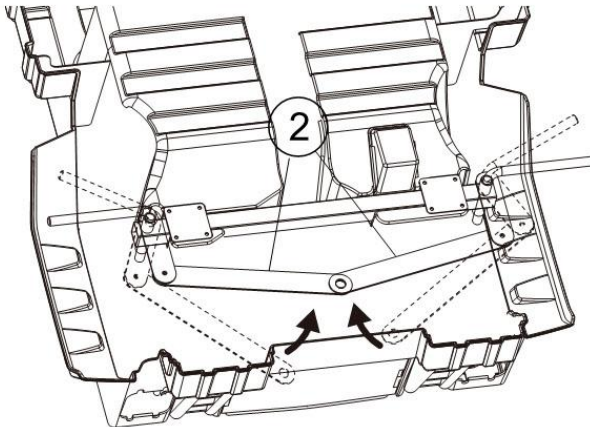
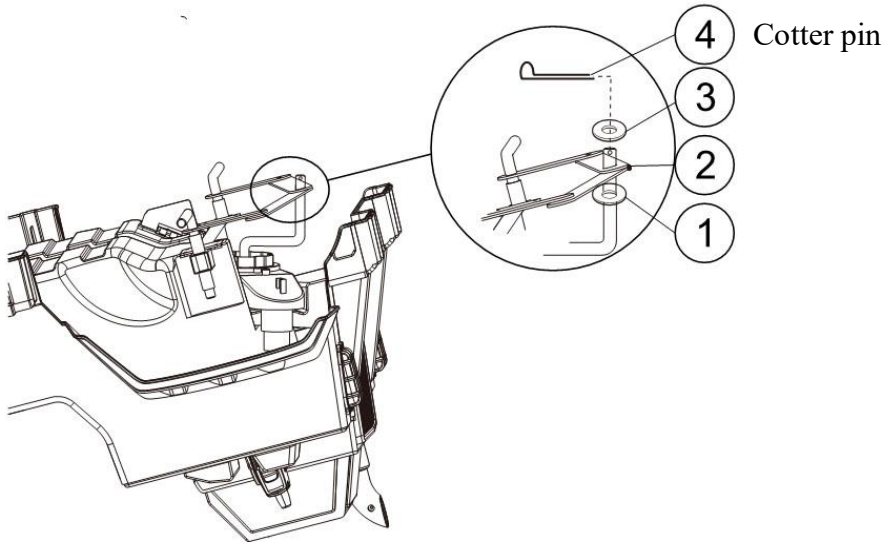
### **Rules for Safe Riding**

● Keep children within Safe Riding Areas:

Never use in roadway near motor vehicles, on lawn space, on or near steep inclines or steps swimming pools or other bodies of water;

- Use the toy only on flat surfaces. Such as inside your house, garden or playground.
- Never use in the dark .A child could encounter unexpected obstacles and have an accident. Operate the vehicle only in the daytime or a well-lit area.
- It is prohibited to change the circuit or add other electric parts
- Inspect wires and connections of the vehicle periodically.
- Do not let any child touch the wheels or be near them when the car is moving.
- This vehicle has adjustable play seat belts. Please instruct children how to tie the safety belt before using ;guarantee the security.

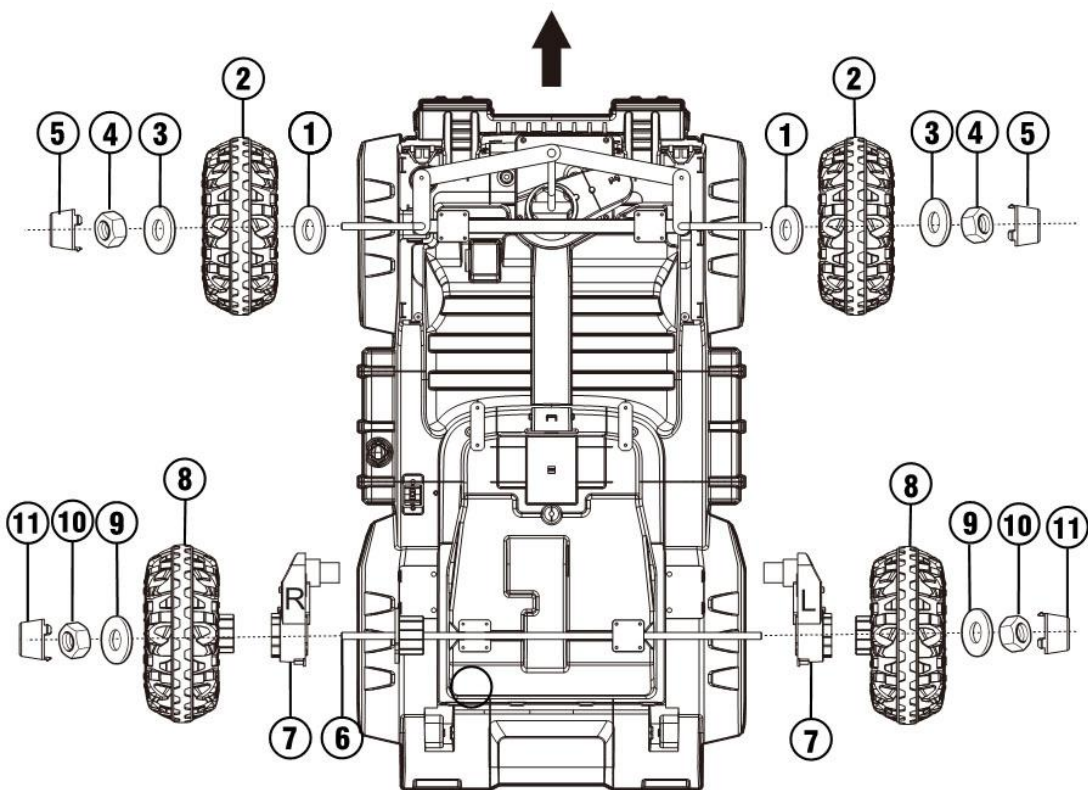
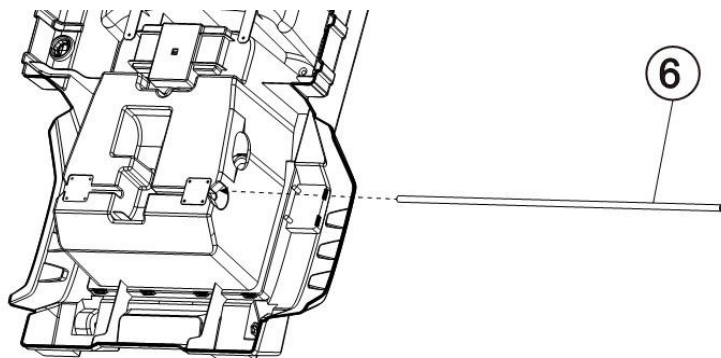
## 5. Operation



Turn the car back up

1. Insert  $\text{Ø}10$  gasket into the steering rod;
2. Insert the hole of steering iron into the steering rod (either one can be inserted first);
3. Install  $\text{Ø}10$  gasket into the steering rod;
4. Fixed the Cotter pin;

## 6. Operation Instruction



## 7. Operation Instruction

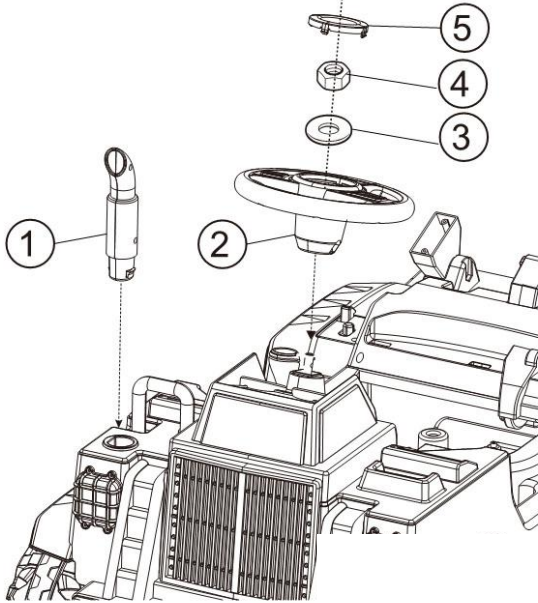
Turn the car back up

- 1.Put an  $\varnothing 10$  gasket into the front axle
- 2.Install the front wheel;
- 3.Put another  $\varnothing 10$  gasket;
- 4.Fixed with  $\Phi 10$  nuts;
- 5.Install the wheel cap;
- 6.Put the rear axle in as shown;
- 7.Install the driving motor into the rear axle, connect the motor wire plug to the plug at the motor bayonet, snap the motor into the slot, and plug the wire into the receiver;;
- 8.Put the driving wheel on the rear axle and make sure the driving wheel plum blossom snaps into the motor plum blossom slot;
- 9.Put another  $\varnothing 10$  gasket;
- 10.Fixed with  $\Phi 10$  nuts;
- 11.Install the wheel cap to the wheel;

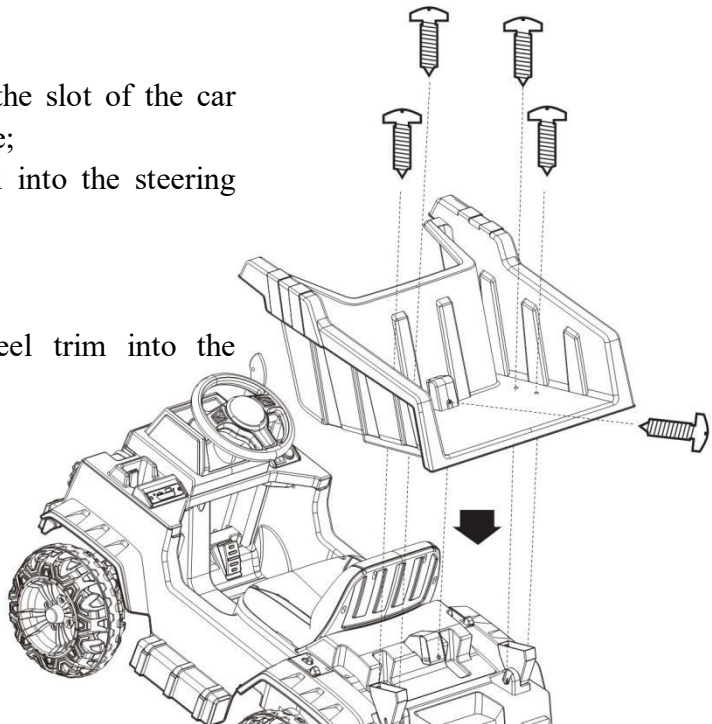
Use the same way to install the wheel on the other side(Motor division: left and right)



## 8. Operation Instruction

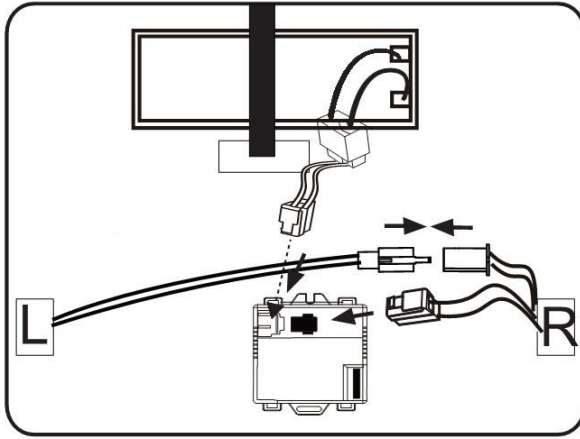


1. Insert the chimney into the slot of the car body, as shown in the picture;
2. Insert the steering wheel into the steering rod;
- 3, Put an  $\Phi$  gasket;
- 4, Fixed with  $\Phi 8$  nuts;
5. Insert the Steering wheel trim into the steering wheel;

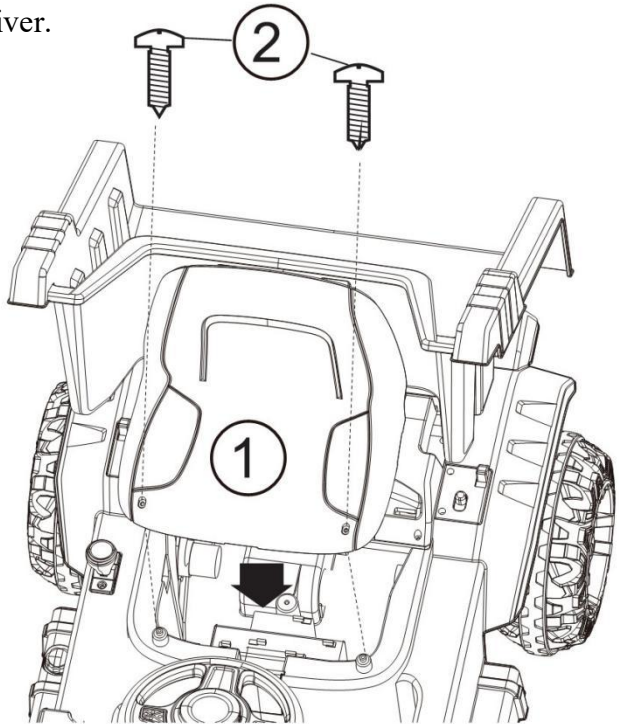


1. Insert the car bucket into the slot of the car body as shown in the picture; Fixed with M4\*12 screws;

## 9. Operation Instruction

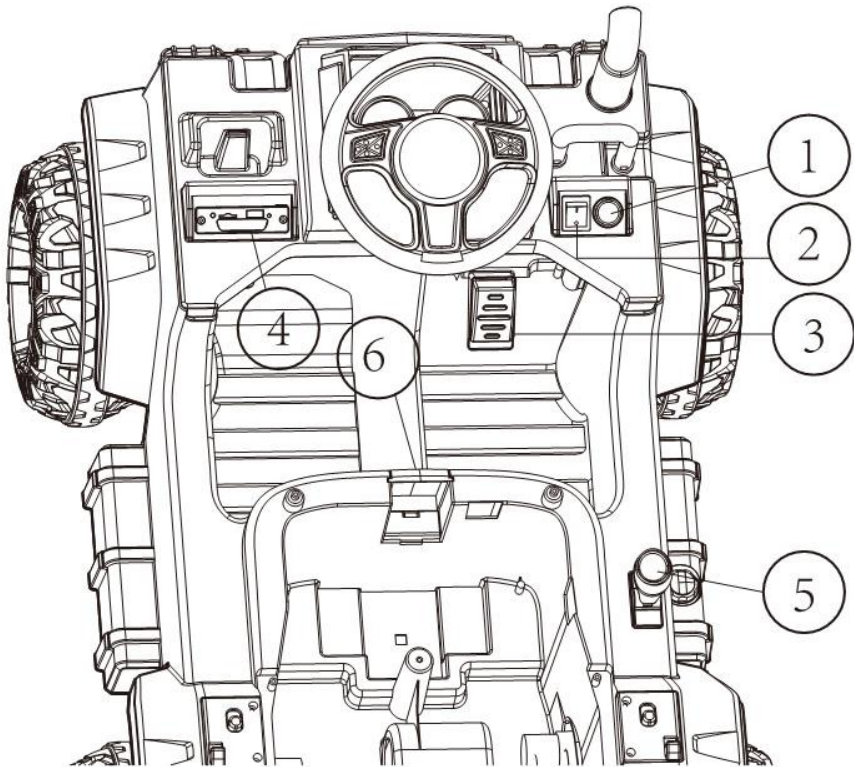


1. Find the main power wires and insert the plug-in of the wires into the slot of the receiver.



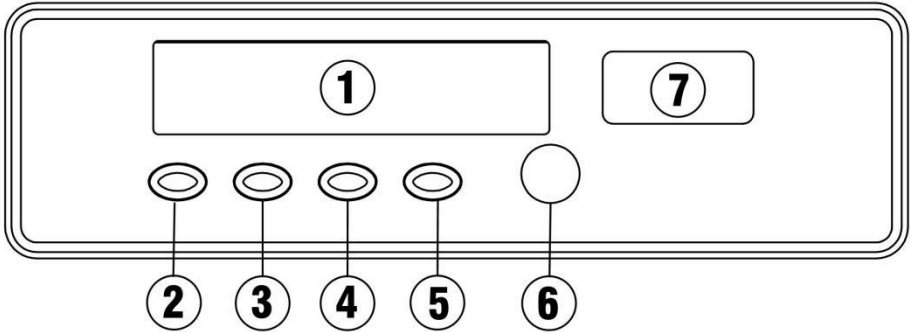
1. Insert the seat into the car body;
2. Fixed with M4\*12 screws;

## 10. Operation Instruction



1. Power button: turn on or off the power;
2. Forward/backward switch: control the moving direction, forward or backward; Stop switch in the middle;
3. Foot switch: step on the switch, the car moves, release and the car will brake slowly;
4. Central control panel;
5. Car bucket switch: control bucket to rise or fall;
6. Charging hole: the charger can be connected to charge the car (please read the instructions carefully before charging );

## 11. Function Instruction



Central control panel:

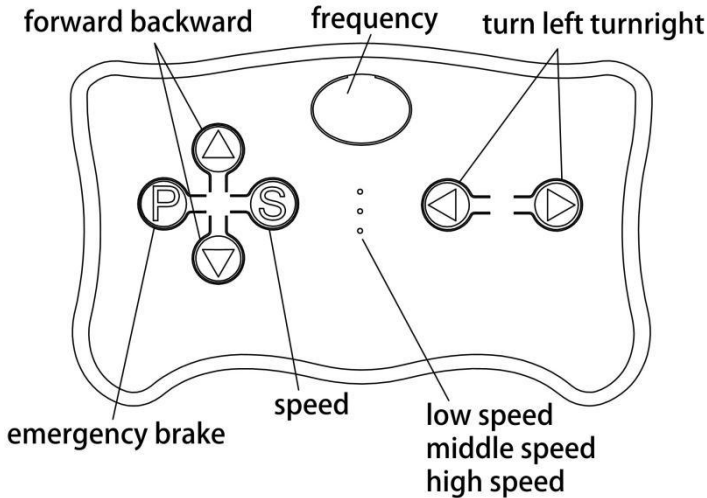
1. Power display: Clearly see the battery power, in order to charge; the smaller the number, the lower the voltage. Please charge in time;
2. Last song/Volume decrease: Change songs, and long press will decrease volume;
3. Play or stop switch;
4. Next song//Volume increase: Change songs, and long press will increase volume;
5. Mode switch: press to switch mode/music mode/radio mode/bluetooth mode;
6. MP3: the data cable can be connected to other devices and play music;
7. USB: need connect your USB device;



### BATTERY WARNING!

- Non rechargeable batteries can not be charged.
- Only an adult can charge and recharge the battery.
- Different types of batteries can not be mixed.
  
- Battery need put in the right polarity.
- The exhausted battery should be removed from the toy.
- Power terminals must not be short circuited.
- Do not provide dry batteries.

## 12. Use the Remote Control



### WARNING!

Only allow adult to use remote control, can not let the children touch

Operation Manual : For the first time to use (Or Replace the battery)Need to frequency bind

- Take out the remote control, lift the battery compartment door on the back of the controller and insert two AAA batteries. install the battery
- Long press on the frequency key 2-4 seconds, Low speed LED light flashing
- Turn on the power of the car, Low speed LED light keep flashing to long lighting, then frequency bind succeed
- If the frequency bind failed (Low speed LED light flashing) , remove the battery and repeat steps 1~3
- remote control without operation after 10 seconds, indication light will off into power saving mode
- Button Description:  $\triangle$  forward  $\nabla$  backward  $\triangleleft$  turn left  $\triangleright$  turn right  
S: Speed , P: emergency brake, Press it and the running function will fail, press again, it release

NOTE:1.non-rechargeable batteries are not to be recharged,

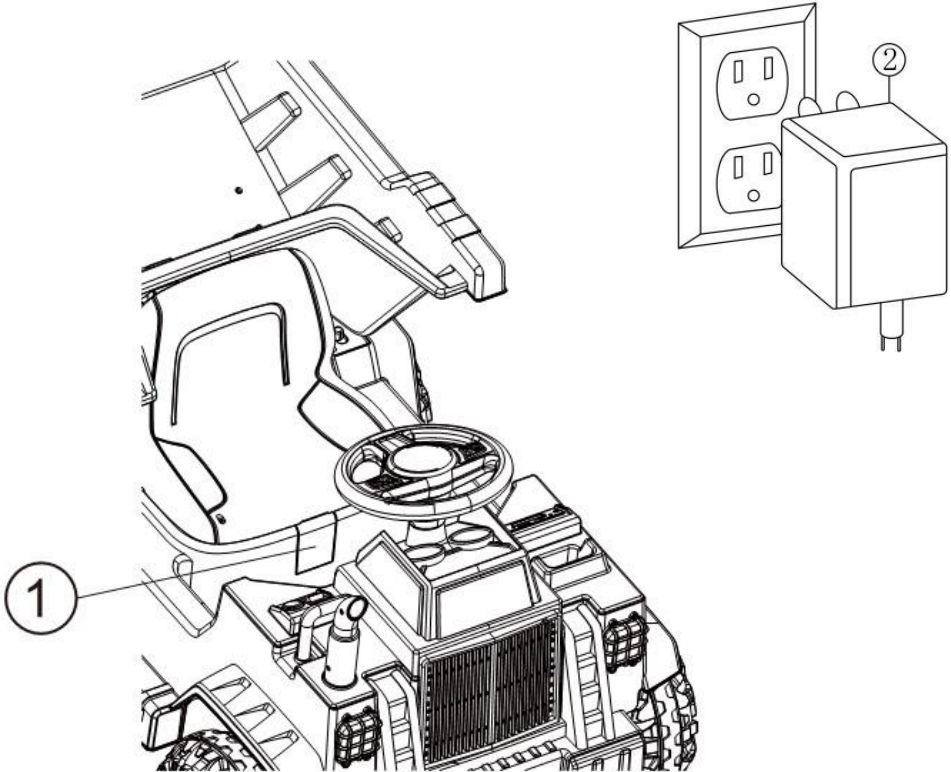
2.different type of batteries or new and used batteries are not to be mixed ,

3batteries are not to be inserted with the correct polarity,

4exhausted batteries are not to be removed from the toy,

5the supply terminals are not to be short-circuited

## 13. Charge



1. Insert the charger jack into the charging hole of the car.

2. Plug the charger plug into the stable matching AC power supply as shown in the picture.

**ATTENTION:** Only an adult can charge and recharge the battery!

## 14. Charging

**ONLY AN ADULT CAN CHARGE AND RECHARGE THE BATTERY!**

### **WARNING!**

#### **● PREVENT FIRE AND ELECTRIC SHOCK:**

- Use the only rechargeable battery and charger supplied with your vehicle. NEVER substitute the battery or charger with another brand. Using another battery or charger may cause a fire or explosion.
  - Do not use the battery or charger for any other product. Overheating, fire or explosion could occur.
  - NEVER modify the electric circuit system.. Tampering with the electric system may cause a shock, fire or explosion or my permanently damage the system.
  - Do not allow direct contact between battery terminals. Fire or explosion can occur.
  - Do not allow any type of liquid on the battery or its components.
  - Explosive gasses are created during charging. Do not charge near or flammable materials. Charge the battery in a well-ventilated area ONLY.
  - rechargeable batteries are only to be charged under adult supervision
- rechargeable batteries are to be removed from the toy before being charged  
Must confirm before using that following work which is already finished:  
Important! Before using the vehicle for the first time, the battery needs to be charged for 4 to 6 hours , no more than 15hours. Only an adult can charge and recharge the battery.  
Check all the screws, cap nuts and protective coverings regularly and tighten as required.

#### Rules for Safe Riding

- Keep Children within safe riding areas:

Never use in roadway, near motor vehicles, on lawn space , on or near steep inclines or steps swimming pools or other bodies of water;

- Use the toy only on flat surfaces. Such as inside your house, garden or playground
- Never use in the dark . A child could encounter unexpected obstacles and have an accident. Operate the vehicles only in the daytime or well-lit area.
- It is prohibited to change the circuit or add other electric parts.
- Inspect wires and connections of the vehicle periodically
- Do not let any child touch the wheels or be near them when the car is moving.

# 15. Maintenance of protector

## Protector

This product is equipped with self-reset protector, when overloaded or improper use, self-reset protector will automatically cut off the power supply for 15-20 seconds, and then restart. The self reset protector of the car is installed under the seat.

To avoid losing power, follow these guidelines:

- Do not overload the vehicle, maximum 30KGS.
- Do not tow anything behind the Vehicle.
- Do not immerse water or other liquids in electrical components, such as wiring, batteries, etc
- Do not tamper with the electric system. replacement must be conducted by professionals or under the guidance of technicians.

## BATTERY REPLACEMENT AND DISPOSAL

- Check the charger's wires, plugs, housing and other components before use. Stop using the charger when damage is found until it is repaired.
- After a period of time, lubricate the parts of the vehicle with a small amount of lubricating oil to prevent wear and rust.
- Vehicles should be placed far away from fire sources and avoid long-term illumination. Keep it flat and facing upwards, not upside down or tilted; in wet weather, parked indoors or covered with waterproof cloth.
- Vehicles should be kept away from hot objects such as stoves and heaters. Plastic parts may melt. When charging, keep away from inflammable materials to prevent fire.
- After use, please charge in time, charging must be adult operation. If you don't have to charge the battery for a long time, then charge it at least once a month to extend the battery life.
- Wipe the vehicle with dry soft cloth. Non-waxy furniture polishing material can also be used instead of soft cloth to wipe plastic parts to achieve surface finish effect. Do not use chemical solvents to wipe plastic parts of toys. Do not use soap and water to clean vehicles. Do not drive in rainy or snowy weather. Water can damage motors, electrical systems and batteries.
- When you stop using or placing the product, please cut off the power supply of the product and dial all switches to the stop or close position.
- Please do not use fuse that is not in conformity with the specifications of this product. Do not alter the structure and circuit system of the product without authorization. Maintenance work must be carried out under the guidance of professional or technical personnel.



# 16. Troubleshooting Guide

Checkpoint	Elimination method
<p>1. Is the protector of the vehicle disconnected?</p> <p>2. Does the foot switch connect well?</p> <p>3. Is the welding line on the motor terminal good?</p> <p>4. Is the connector of the motor lead properly connected?</p> <p>5. Is it turning the Disconnect the plug-in of the motor and directly connect it to the battery?</p>	<p><b>Yes, cut off the power for 15-20 seconds and then restart</b>    <b>No, next</b></p> <p>NO, fix the foot switch; Yes, next</p> <p>NO, Weld the terminal wire well; Yes, next</p> <p>No, Plug in plug-ins; Yes, next</p> <p>NO, Change motor; Yes, Driving circuit boards need professional maintenance, contact agents or distributors</p>
<p>1. Check whether the battery voltage is normal.</p> <p>2. Will the motor (Gearbox) directly connect to the battery and speed up?</p>	<p>NO, charge; yes, next</p> <p>Yes, Drive circuit board failure, contact agent or dealer</p>
<p>1. Is the battery plug-in loose?</p> <p>2. Does the charger feel any slight heat when charging?</p>	<p>Yes, Lock battery plug in; No, next</p> <p>No, Maybe the charger is broken. Replace the charger</p>
<p style="text-align: center;">Driving, no sound and light</p>	<p>1. Is the acoustooptic switch good?</p> <p>2. Check whether the line and plug-ins from battery to vehicle are good.</p> <p>No, change button; Yes, next</p> <p>No, plug in the plug-in and connect the broken line</p>
<p style="text-align: center;">Wheels do not move.</p>	<p>1. Is the drive rotating?</p> <p>2. Check gear box, gear at all levels are damaged.</p> <p>Yes, Land the wheel; No, next</p> <p>Yes, Change a new gearbox</p>
<p style="text-align: center;">The vehicle is moving, it stops.</p>	<p>1. Does the rider weigh more than 30 kilograms?</p> <p>2. Is it driving in rough terrain?</p> <p>3. Check that the horizontal wheel can turn itself?</p> <p>Yes, normal; No, next</p> <p>Yes, normal; The vehicle should run on the cement road No, next</p> <p>No, remove wheel and wheel fault</p>

<p>Remote control vehicles do not respond</p>	<p>1. Does the brake function start? 2. Is remote control electrified? 3. Is the receiver wiring harness loose?</p>	<p>Yes, Press the brake key to relieve the brake function; No, normal Yes, try again; No, Check whether the battery is out of power and whether the installation is in place. Yes, remove the row, reinstall; No, normal</p>
---	---	--

The above troubleshooting method, when the user is not available, please contact agents or distributors.

- This product is only suitable for sale and use in the Chinese market.
- The illustrations used in this specification are intended to illustrate the operation method and product structure of the product. If there is a small difference between the physical object and the illustrations, the physical object shall prevail.
- In order to improve the quality of the product, we may change part of the structure and appearance of the product without notice. Please understand.
- The packaging contains important information and must be kept.