

IMPORTANT! PLEASE, READ CAREFULLY THESE INSTRUCTIONS AND KEEP THEM IN A SAFE PLACE FOR FUTURE REFERENCE! THE CHILD MAY GET INJURED IF YOU FAIL TO FOLLOW THE WARNINGS AND GUIDELINES IN THIS MANUAL

USER MANUAL FOR BABY WALKER JOYA LUX 4 IN 1

JOYA



This baby walker is manufactured in accordance with the Product Safety Directive 2001/95/EU of the European Parliament and the Council, to European standard EN 1273:2005 Child use and care articles. Baby walking frames. Safety requirements and test methods as well as Consumer Protection Law from national legislation.

TO ENSURE THE SAFE USE OF THIS PRODUCT AND PREVENT THE BABY FROM INJURY, FOLLOW CAREFULLY THE WARNINGS, GUIDELINES AND RECOMMENDATIONS IN THIS MANUAL!

- **CAUTION!** NEVER LEAVE THE CHILD UNATTENDED!
- **CAUTION!** THIS WALKER IS NOT SUITABLE FOR CHILDREN WHO CAN WALK ON THEIR OWN!
- **CAUTION!** THIS WALKER IS NOT SUITABLE FOR CHILDREN WHO WEIGH MORE THAN 12 kg!
- **CAUTION!** BABY WALKER IS NOT SUITABLE FOR CHILDREN WHO CANNOT SIT UNAIDED (UNDER 6 MONTHS)!
- **CAUTION!** THE CHILD CAN REACH MORE OBJECTS, MOVE FASTER AND AT BIGGER RANGE. TO PROTECT THE CHILD FROM INJURY:
 - Do not allow access to stairs, staircases, uneven surfaces
 - Keep away from fire, sources of heat, cooking appliances
 - Keep children away from hot liquids, electric cords and other dangerous objects!
 - Avoid collision with glass doors, windows and furniture
 - Do not use the baby walker if you find broken, loose or missing elements.
- **CAUTION!** THIS SET CONTAINS SMALL PARTS! DO NOT ALLOW CHILDREN UNDER 3 YEARS NEAR THE PRODUCT DURING ITS ASSEMBLY!
- Adult assembly of the walker and its accessories is required!
- Height of the seat must be according to child's needs.
- You should use this baby walker only for short periods. Recommended duration is 20 minutes!
- When the child is in the walker, its feet must touch the floor.
- Before using the walker make sure it is completely unfolded and all parts are fixed. Make sure that all locking mechanisms are engaged.
- Use the walker only at home, on even (not sloped) surface and only for its purpose!
- Do not lift or move the walker while there is a child in it!
- Do not allow children to touch the wheels or be near them while the walker is in motion!
- Stick or remove any loose stickers to avoid them being swallowed by small children.
- Do not use spare parts or components different from the ones supplied by the producer!
- The producer is not liable in case you use parts other than the original or approved by him!
- Do not make changes or modifications to the frame! If necessary, contact the retailer or an authorized service for advice and repair.
- Keep the nylon package away from children to avoid the risk of suffocation!

IMPORTANT! WARNINGS AND GUIDELINES FOR BATTERY USE

- After inserting batteries, always secure the battery compartment with the cover.
- Do not allow children to access or play with the batteries!
- Use only batteries of the designated type and power.
- Do not use batteries of different types.
- Do not short circuit the contact surfaces!
- Follow the designated polarity in the battery compartment.
- Remove damaged or depleted batteries.
- Remove the batteries when the product will not be used for long time.
- Do not throw the batteries in open fire. Do not take the batteries to pieces.
- **CAUTION!** Waste from depleted or unusable batteries must be disposed of separately. It is forbidden to throw them out in containers for household waste. Dispose of the batteries only at the specified places.



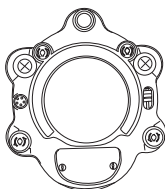
MAIN FEATURES

Baby walker JOYA 4 in 1 encourages baby's attempts to make his first steps and improves his balance and coordination. Bright colors and sounds of the tray with toys and musical panel stimulate the creativity of the child and develop his hearing and vision skills.

- SUITABLE FOR BABIES WHO CAN SIT UNAIDED AT APPROXIMATE AGE OF 6 MONTHS AND WEIGHT UP TO 12 KG.
- Top tray may be height adjusted at 3 levels;
- Anti-slip stoppers that prevent falling off stairs or tip over (6 pieces).
- Seat rotates at 360° .
- Necessary batteries: 2 pcs type AAA/1,5V. Batteries are not included and are sold separately.

MAIN PARTS

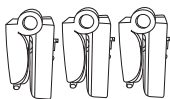
Please, make sure that all parts are available!



Top tray



Seat



Frame support x 3



Steering wheel



Butterfly toy



Octopus toy



Car play tray



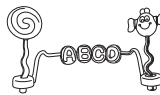
Back side wheels x 2



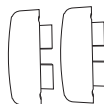
Front side castors x 2



Base x 1



Lollipop and Bee toy bar



Rocking device x

ASSEMBLY INSTRUCTIONS

CAUTION! Follow exactly the guidelines and the sequence of assembly and use which you will find in the figures in the manual.

CAUTION! AFTER EACH STEP, MAKE SURE THAT THE FIXING IS STABLE!

CAUTION! KEEP YOUR FINGERS FROM ENTRAPMENT WHEN OPERATING THE WALKER, ESPECIALLY DURING ITS UNFOLDING AND FOLDING!

The product is delivered partially assembled. In order to complete the assembly no tools are required.

The assembly steps are numbered from 1 to 10. Use the descriptions below along with the figure of the same number.

1 – Assembly of frame

1-1 Unfolding the frame supports

1-2 Installing the frame supports to the top tray

1-3 Installing the base to the top tray

2 – Installing the wheels and castors

IMPORTANT! Never use the walker without its wheels!

3 – Installing the seat

3-1 Dressing the seat

3-2 Fixing the seat

4 – Folding the walker

5 – Unfolding the walker

6 – Installing the batteries and the steering wheel

7 – Installing the car play tray

8 – Installing the butterfly and octopus toys

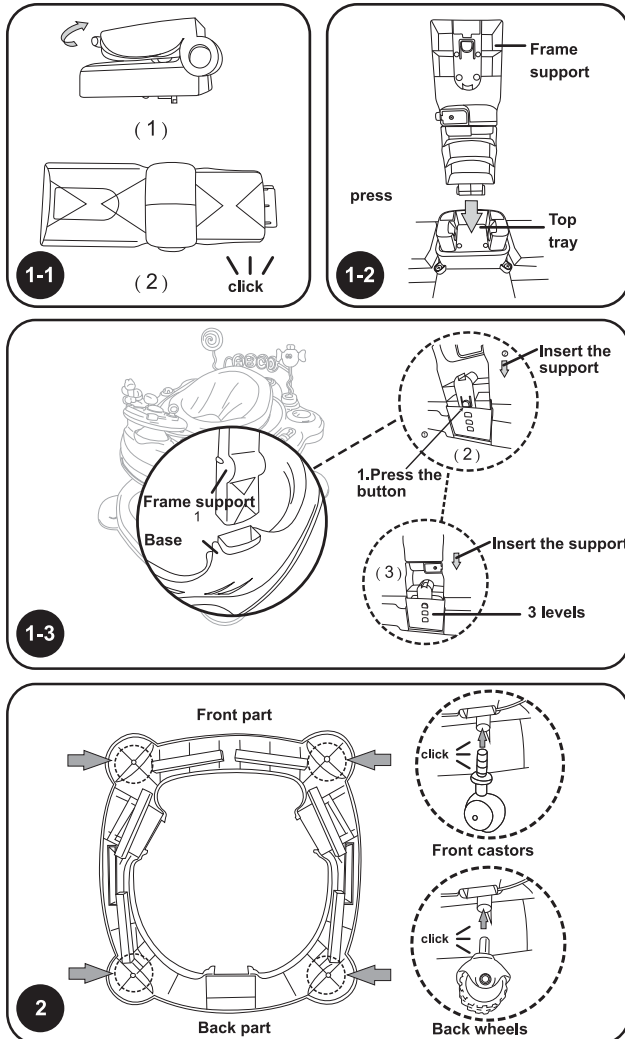
9 – Installing the toy bar

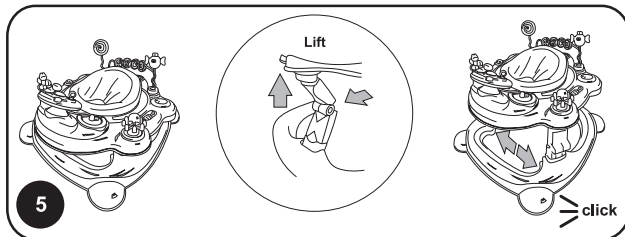
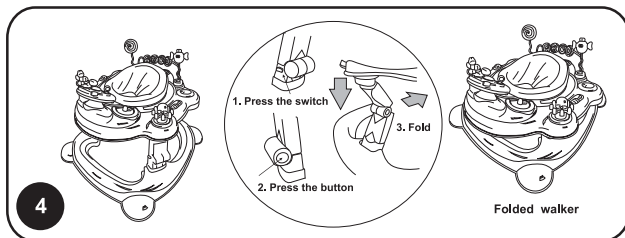
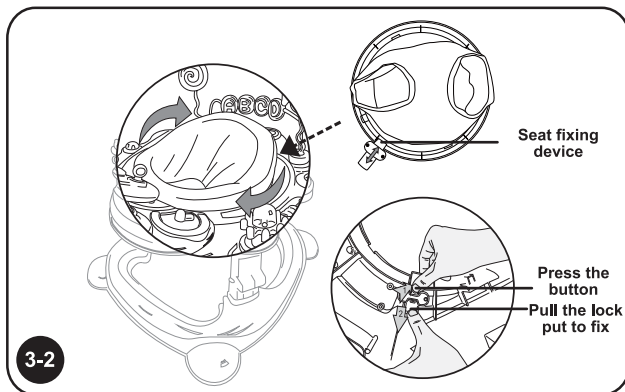
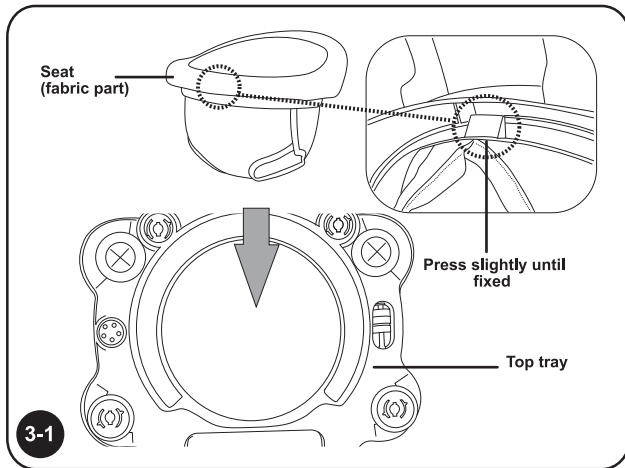
10 – Rocking function

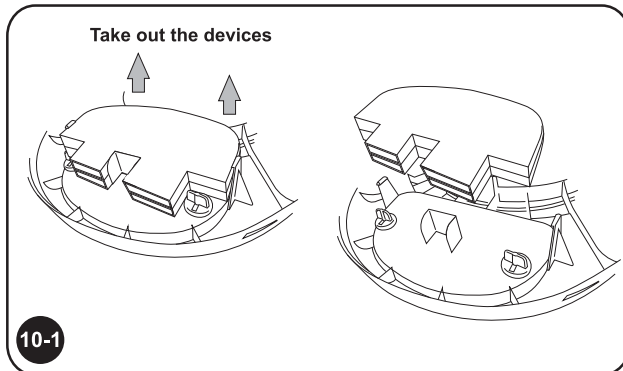
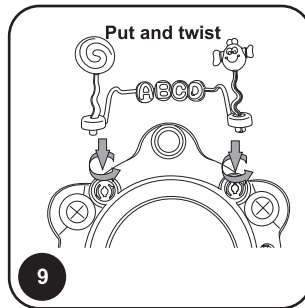
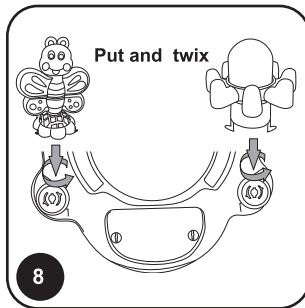
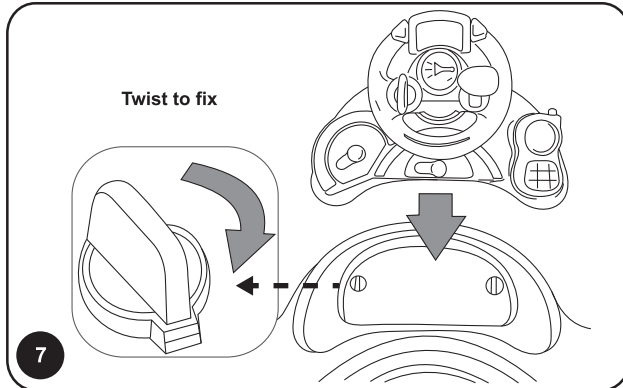
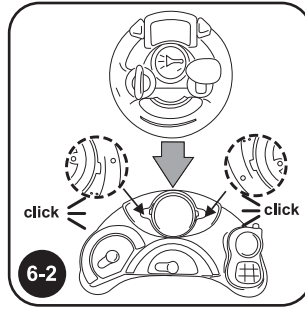
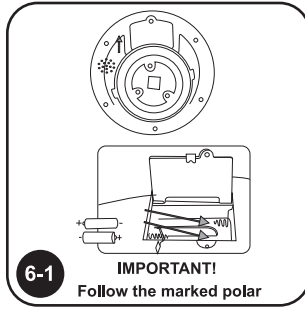
10-1 When not in use the rocking devices are stored in front part of the base (fig. 10.1).

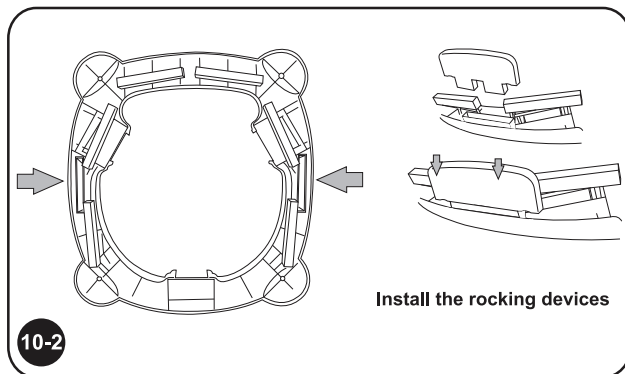
10-2 Installing the rocking device.

10-3 Rocking function









CARE AND MAINTENANCE ISNTRUCTIONS

- Do not pour water on the product. Clean the using a damp soft towel or sponge and a mild soap.
- Do not use aggressive detergents, containing abrasive particles, ammonia, bleach or spirits.
- Fabric part may be hand washed at 30°C.
- Always let the tproduct dry out fully before storing or using it, in order to avoid mould and rust.
- Discontinue using the product if you find any damage.
- Do not store in hot environment or near strong heat sources in order to avoid deforming.
- Store in clean and dry place. Do not expose the product to direct sunshine, rain, moist or harsh temperature changes!
- Do not put heavy objects on top of the product druing its storage or transporting as this may damage it.
- Contact your authorized dealer if consultation or repair is needed.

Used materials: 100% polyester (fabric part and filling), plastic, metal.



PRJL01xxxxx/CD-W341C/555320W



1 Goliakonarsko shosse, Plovdiv, BULGARIA
www.chipolino.com