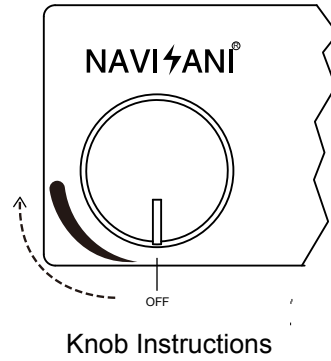
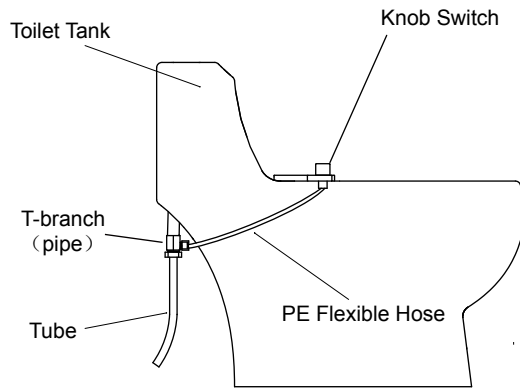
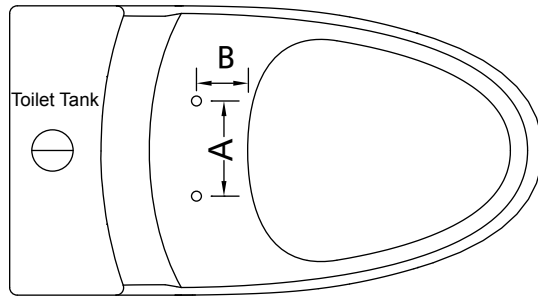


### 3. Instructions

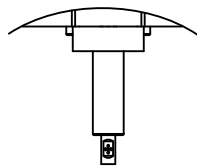


### 4. Application Scope

Fit with common toilet seat: Size A: 125mm~215mm Size B: <75mm  
Fit with NAVISANI toilet seat: Size A: 130mm~200mm Size B: <68mm



### 5. Trouble Shooting



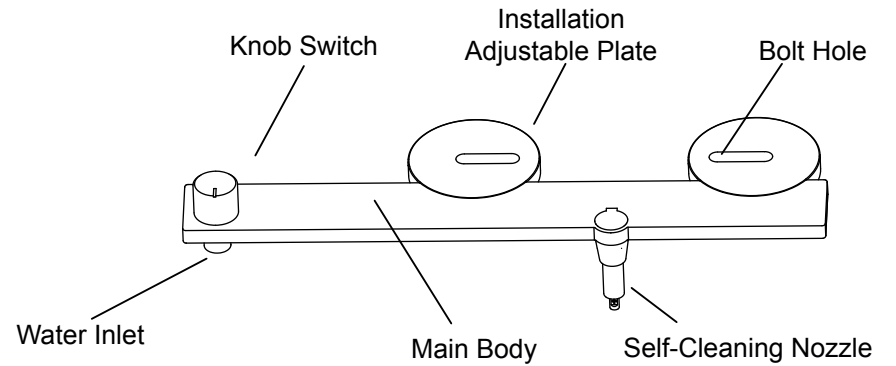
If nozzle outlet is clogged, just move nozzle up and down for several times by hand.

# NAVISANI<sup>®</sup> BIDET

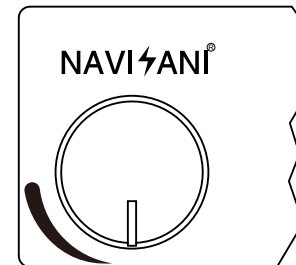
## NB200B USER MANUAL

Thank you for using NAVISANI products

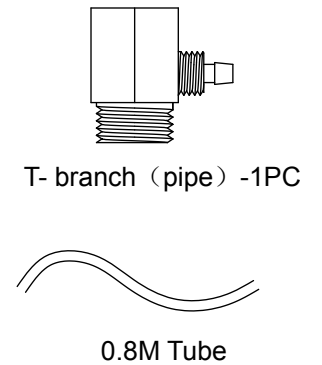
### 1. Part List



#### (1) Knob Switch Indication



#### (2) Accessories



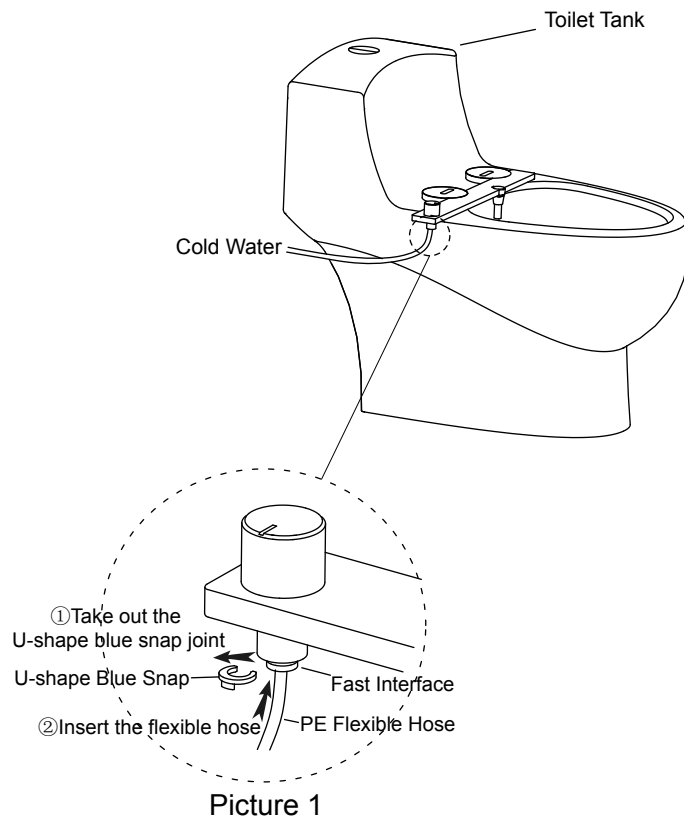
## 2. Installation

### (1) Preparation

- A、 Turn off the water valve
- B、 Flush the toilet to drain tank completely
- C、 Take off the toilet seat cover
- D、 Detach flexible hose nut from fill valve water inlet

### (2) Installation methods

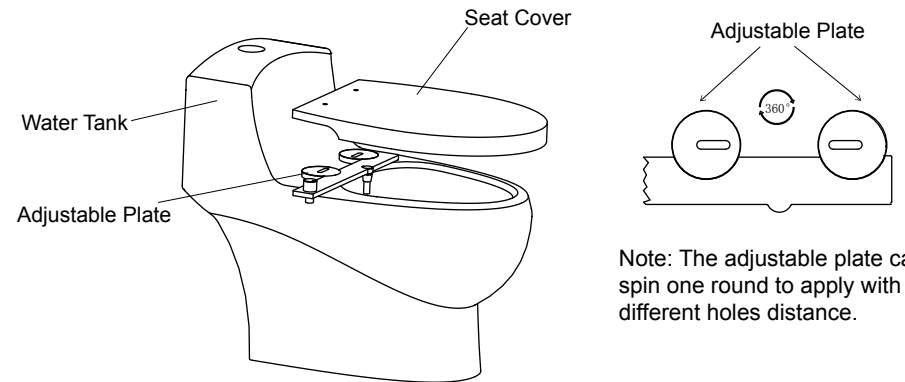
- A、 Install T-branch (pipe) to fill valve water inlet.
- B、 Use Tube to connect the T-branch pipe with cold water inlet fast interface. (Picture 1)



Caution: Take out the U-shape blue snap joint, and then insert the flexible hose, after that, press the snap joint back.

## C、 Install the main body

### C-1 Fit with common toilet seat cover



### C-2 Fit with NAVISANI toilet seat cover

