

IMPORTANT SAFETY INSTRUCTIONS

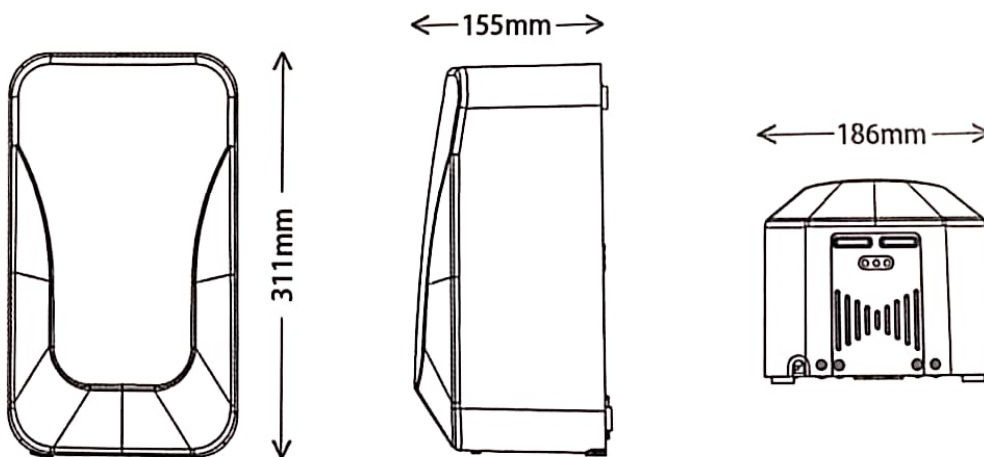


WARNING - To reduce the risk of fire, electric shock or injury to persons, observe the following:

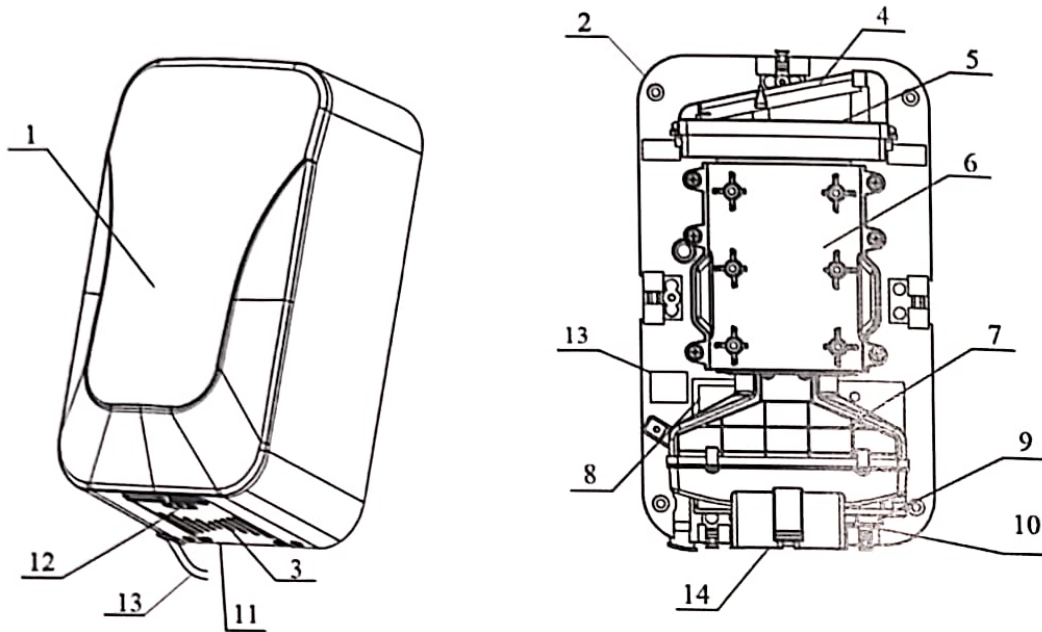
- The dryer must be installed in accordance with the electrical installation regulations in force at the time of installation.
 - Installation work should be carried out by a qualified electrician.
 - Ensure that the mains supply (voltage, frequency, and phase) complies with the hand dryers rating label
 - The hand dryer should be provided with a fused spur, isolator switch capable of disconnecting all poles, having a contact separation of at least 3mm
 - Turn off the power switch before inspecting and cleaning the unit.
 - Ensure the unit is properly grounded / earthed.
 - Be sure to install a residual current circuit break (RCD)
 - Always use hand dryer with the HEPA filter provided
-
- ⊘ Do not open upper and lower panel once installed.
 - ⊘ Do not allow the unit to get excessively wet.
 - ⊘ Do not modify and disassemble the unit unnecessarily.
 - ⊘ Do not allow children to hang from the unit.
 - ⊘ Do not use in the following places:
 - Where the ambient temperature is below -10°C or above 40°C.
 - Where the unit may come into direct contact with water.
 - Where the unit is under direct or strong sunlight.
 - Where condensation may form within the unit.

TECHNICAL SPECIFICATIONS

Material & Finishes	ABS plastic (color customization)
Voltage	220V~ / 50Hz
Drying time	less than 15 seconds
Weight	2.5KGS
Noise levels	75dBA
Air velocity	288KM/S
Heating element	450W
Motor power	550W
Motor speed	30000rpm
Sensor range	6-12cm
Approvals	CE, ROHS
Isulation	Class II
IP rating	IPX4



UNIT COMPONENTS



Item	Component	Item	Component
1	ABS plastic cover	8	PCB
2	Base	9	Heat switch
3	Inlet	10	UVC lamp switch
4	UVC lamp	11	Lower panel
5	HEPA filter	12	Infrared Sensor Window
6	Motor	13	Connector
7	PTC	14	Power wire

PACKAGE

One hand dryer

One copy of instruction manual

One installation template

Pack containing: Install screw x4

Expansion pipe x4

Allen key x1

INSTALLATION INSTRUCTION

Location

The dryer should typically be installed between the wash-basin and the washroom exit.

Choose a completely flat surface on the wall to install the dryer.

Recommended Mounting Height (from floor to bottom of dryer)

Men	45" (114 cm)
Women	43" (109 cm)
Teenagers	41" (104 cm)
Small Children	35" (89 cm)
Accessible	37" (94 cm)

(ADA compliant)

Power Supply

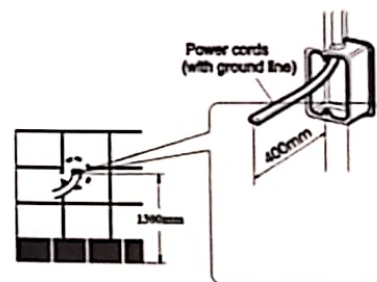
Use a single -phase alternative current 220-240V power supply.
Use a power cord which is between 1.5-2mm² thick.
(Cords other than 1.5-2mm² single-core cords cannot be used.)

(A drop in voltage is possible if the power cord exceeds 11 m in length, so we recommend using a 2.5mm² cord)

Wire the unit

Ideally embed the spur in the installation location and wire the power cord

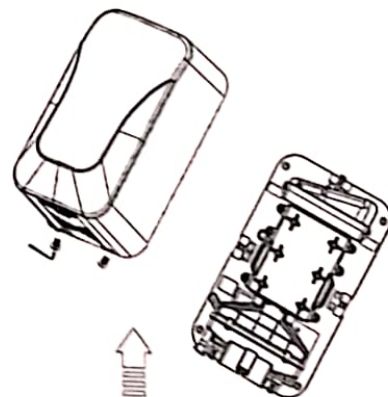
If no spur is used, the power cord may be disordered and prevent the unit from being installed firmly against the wall



Remove the screws using the allen key provided.
Pull the cover upwards to remove and then place in a safe place

Attach the baseplate to the wall using the 4 screws and wall plug provided.

If the wall is not masonry reinforce it before installation



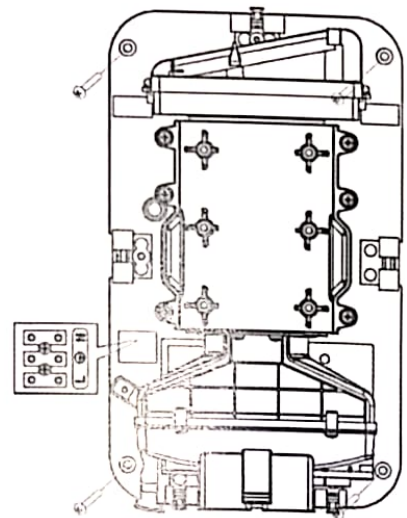
INSTALLATION INSTRUCTION

Fix dryer base-plate to wall with appropriate fixings, and feed cable through the cable entry hole.

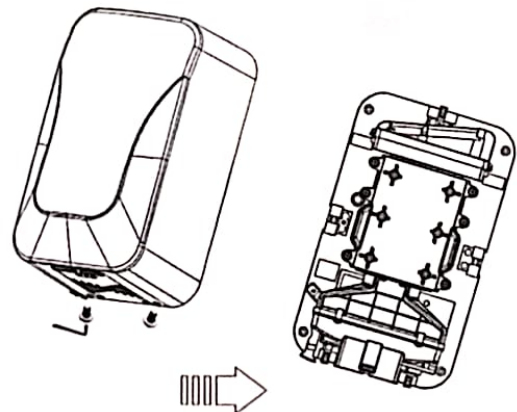
Connect the cable to the terminal block in accordance with the relevant markings, ensuring that the cable does not interfere with the function of the motor.

(Connections: A. Connect the live wire (colored red or black) to the terminal block marked "L". B. Connect the neutral wire (colored white or blue) to the terminal block marked "N". C. Connect the ground wire (colored green or green and yellow) to the green screw marked " \perp ") ensuring that the cable does not interfere with the function of the motor.

Note that colors of live and neutral wires depend on voltage of supply service.

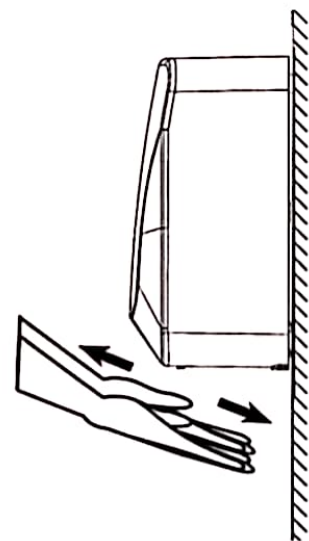


Re-fit the dryer cover, using the four screws that were previously removed first, Take care not to overtighten the screws.



Operation

1. No touch operation.
2. The user is to shake excess water off their hands.
3. Place hands under the outlet to start operation.
4. Slowly move hands back and forth through the hand dryer.
5. Stop automatically after hands are removed.



MAINTENANCE & CLEANING

REGULAR MAINTENANCE

Regularly clean the outer casing use a soft, damp cloth to gently wipe away any dirt.

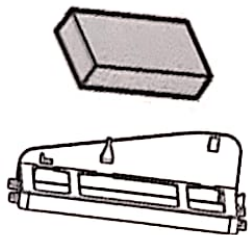
Clear dust from air-intake grille

Remove any dirt from the sensor area.

Never use abrasives or chemicals to clean the cover. Do not use thinners, acidic or alkaline toilet cleaners, or any type of brushes. (use of these may damage the surface of the hand dryer).

Remove the HEPA filter pack

Remove the filter form the pack



Remove dust & dirt from filter



Do not wash the filter



CLEANING

Cleaning and maintenance must be performed by qualified electrical personnel.

1. Disconnect the electrical supply.
2. Use the service tool or security hex driver to remove the four cover security screws and use special tool to open the hole stopper.
3. Remove the cover.
4. Clean all dust and lint from the interior of the hand dryer.
5. Replace the cover.
6. Wipe the cover with a damp cloth.

CAUTION: Do not over tighten the screws.

