

# CONTENTS

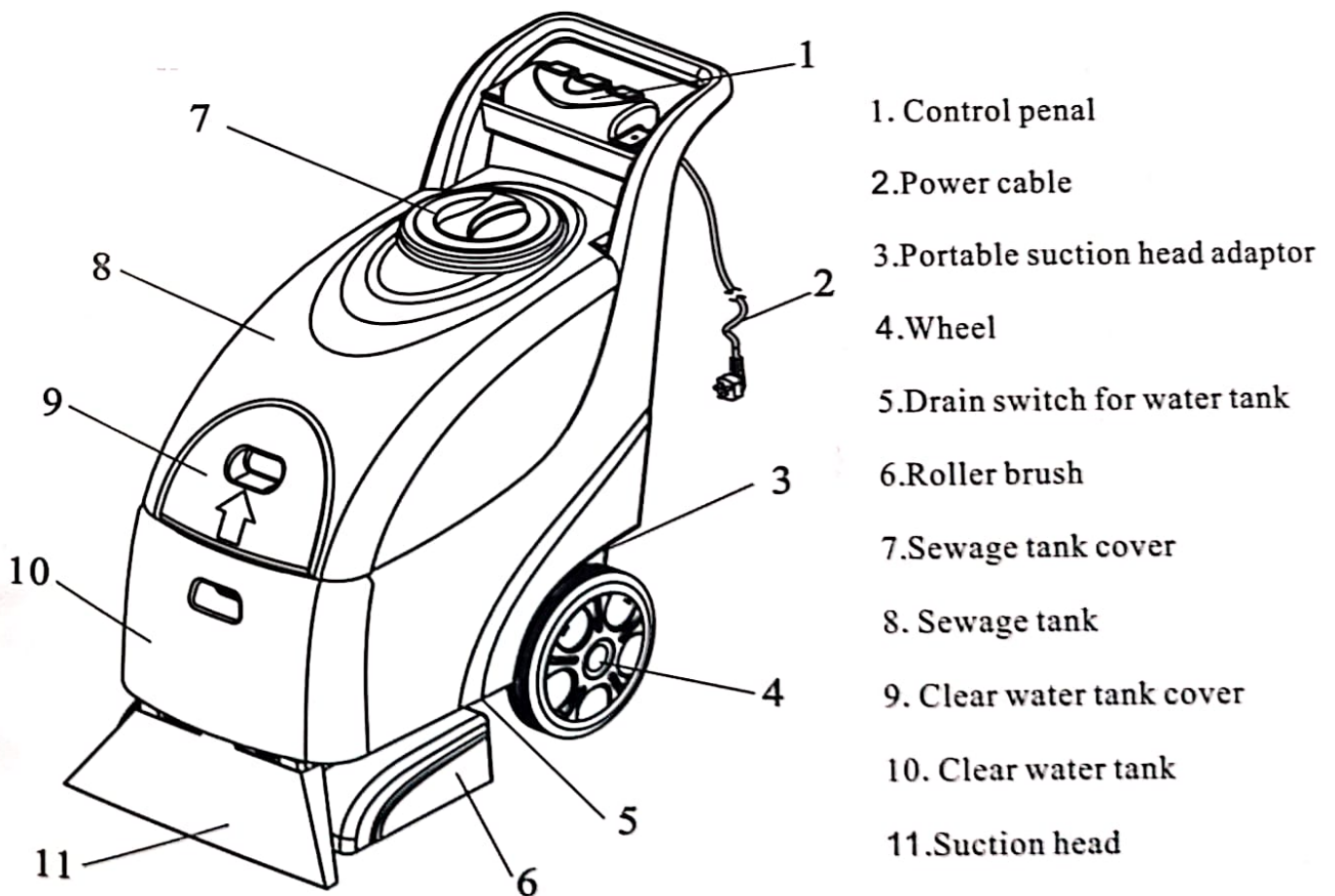
Product Introduction	1
Main Structure	1
Cautions before Operation	2
Safety Considerations	2
Operating Instructions	3
Roller Brush Replacement Steps	3
Main Troubles and How to Solve Them	4
Daily Maintenance	5
Technical Parameters	5
Explosion Views	6-10

# Product Introduction

The DTJ2A three-in-one carpet extractor is designed for carpet cleaning. The one-time cleaning is completed by spraying, scrubbing, rinsing and absorption processes, with a thoroughly clean carpet as a result. The extractor, with novel and compact body design and flexible and convenient use, is especially suitable for carpet cleaning in such large areas as corridors, conference rooms and restaurants, and becomes more competent in guest room carpet cleaning.

## Main Structure

The main structure of DTJ2A three-in-one carpet extractor is shown in Figure 1.



## Cautions before Operation

Welcome to purchase and use the DTJ2A three-in-one carpet extractor. Before using the machine, please read this user manual in details. The manual provides important information about the safe operation and maintenance. You or other persons may be in danger, and the machine or other items may be damaged due to the machine operation or maintenance attempt before reading the manual. Therefore, an operator must receive the hands-on training before his using this machine, and only this can allow him operate this machine.

## Safety Considerations



**Danger:** you or other persons may be in danger, and the machine or other items may be damaged due to the machine operation or maintenance before reading the user manual. An operator must receive the hands-on training before his using this machine, and only this can allow him operate this machine.



**Danger:** please do not use the machine around flammable and explosive materials, or even add flammables into the machine.



**Danger:** immediately stop using the machine when the power cord is damaged, to avoid electric shock, and seek help immediately from the manufacturer service agency or similar qualified personnel, to be replaced.



**Danger:** cut off the power supply in case of machine maintenance or repair to avoid electric shock.



**Warning:** if there is no spilled foam or liquid, immediately turn off the machine power, check the causes, and carry out repairs.



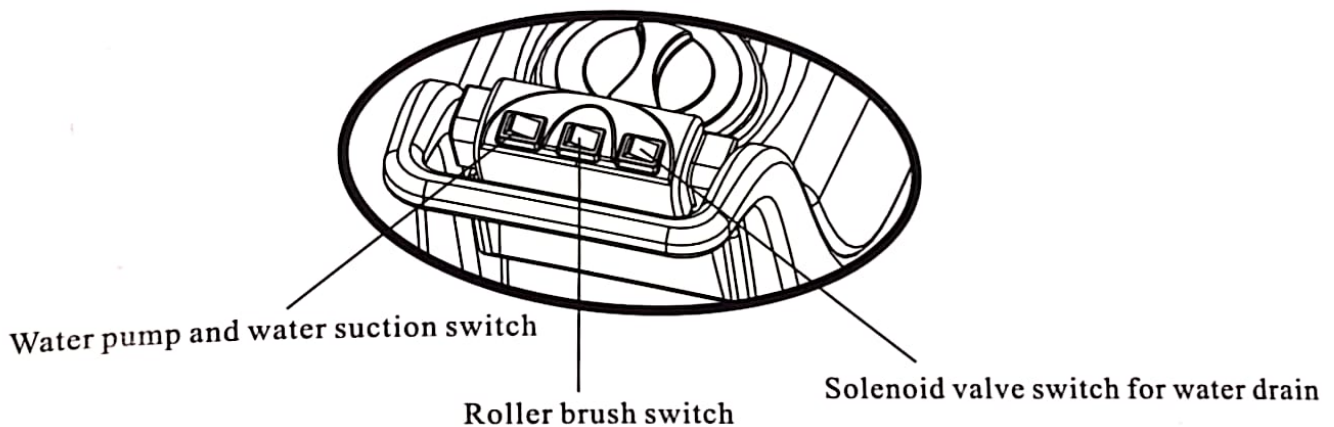
**Warning:** as the machine is heavy, please do not place the machine on a slope or inclined ground, or even start it on the slope.



**Warning:** do not use the water at a temperature above 60 °C (140 °F) for cleaning, or the machine may get damaged.

# Operating Instructions

1. After opening the box, bring out the machine, and check the machine for integrity and the accessories for completeness.
2. Add water and detergent to the water tank according to the cleaning requirement.
3. Plug in the power (220V, the supply voltage for machine), press the control buttons on the control panel, and examine each function for normal working.
4. Push the machine to the carpet to be cleaned, and start the cleaning work.
5. After the cleaning work, unplug the power plug. Empty the water in the water tank and sewage tank, and clean the sewage tank and suction pipe with fresh water.



## Roller Brush Replacement Steps

1. Turn off the machine power and wear protective gloves before the replacement, and pay attention to safe operations.
2. First, twist off the four screws on the roller brush assembly (11 and 26, the serial numbers for roller brush assembly disconnection), and then disconnect the entire roller brush part.
3. Twist off the screws on the plastic case, and release the plastic case.
4. Disconnect the small clamp springs on both sides of the belt and roller brush shaft (36, the serial number for roller brush assembly disconnection diagram), and take out the parts of roller brush and roller brush shaft with an axial movement.
5. Twist off the two  $5 \times 5$  small screws on the driven pulley, take out the driven pulley and the bearing at both ends, and substitute with new roller brush (38, the serial number for roller brush assembly disconnection diagram).

# Main Troubles and How to Solve Them

Trouble	Cause	How to Solve
No power	Power problems	Check power
	House or building's short-circuit trips	Check ,Repair or replace
The switches have been turned on, but all the motors' power supply is intermittent.	The electric wire has problem	Repair or replace
	The switch is damaged	
	Terminals are loose or poor in contact.	
The suction head is out of suction or with weak suction.	The drain valve is opened	Close the drain valve
	Unsealing occurs between the sewage tank cover and the tank.	Screw it down to make it sealed.
	The vacuum tube joint is loose.	Insert it ad screw it down.
	The suction pipe is blocked	Wash the suction pipe
	Dirt occurs on the floating ball rack.	Remove the dirt.
	The vacuum suction pipe has defect	Replace the suction pipe
	The installation of vacuum motor is loose	Tighten and fasten the screws.
	The pump motor has been started, but the nozzle fails to spray the solution.	The nozzle is blocked
The filter screen on the frame bottom is blocked.		Clean the filter
The electromagnetic drain valve is blocked.		Repair or replace
The rectifier is damaged.		Replace
The pump motor is damaged.		Repair or replace
Foreign material exists in the pump.		Repair
The roller brush fails in rotation or power.		The roller brush drive belt is loose or deformed.
	The roller brush motor is damaged.	Repair or replace

## Daily Maintenance

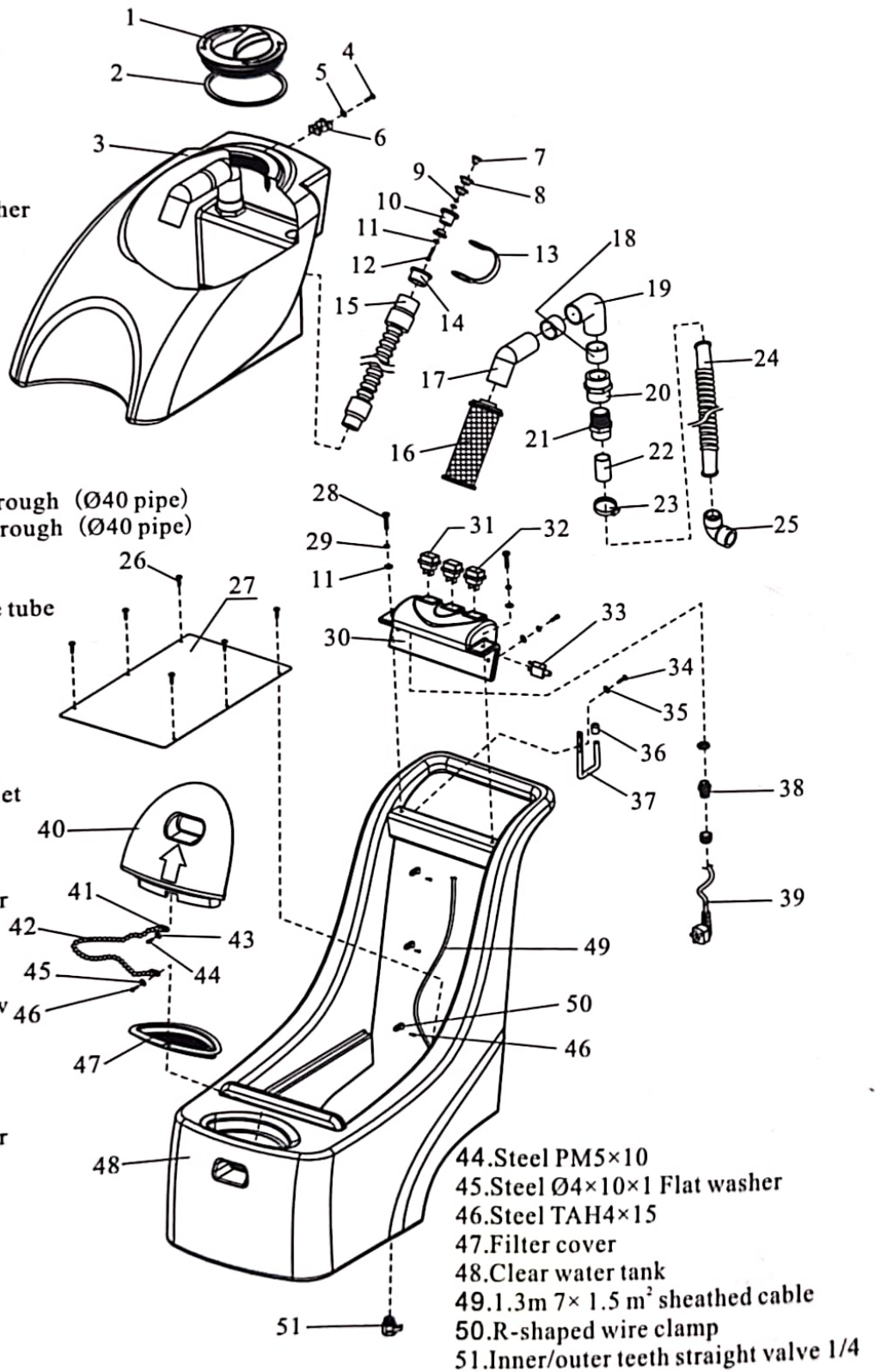
1. Always keep the machine clean.
2. Add 2 gallons of clean hot water below 50 °C to the water tank, and start up the water pump, nozzle and suction head for one-minute operation, to prevent the deposition of alkaline substances.
3. Clean the dirt and lint on the floating ball rack of the sewage tank, and the lint must be cleaned to ensure that the airflow outlet is free of hindrance.
4. Check the filter screen at the water tank inlet for lint or dirt, and clean it.
5. To remove the residual alkaline cleaning solution, rinse it with white vinegar solution (1:3, the vinegar and water ratio), and the rinsing is at least on a monthly basis.
6. It is a must to open the drain valve before storing the machine.

## Technical Parameters

Voltage/ Frequency	220V~/50Hz
Power	1290W
Current	5.1A
Brush rotating speed	1500rpm/min
Brush rotating motor	230VDC/180W
Brush rotating width	400mm
Suction motor	1000W
Width of suction head	460mm
Water injection motor	220VAC/110W
Suction force	210mbar
Clear water tank volume	25L
Sewage tank volume	36L
Length of power cable	18m
Weight	46KG
Product size	1000x545x975mm

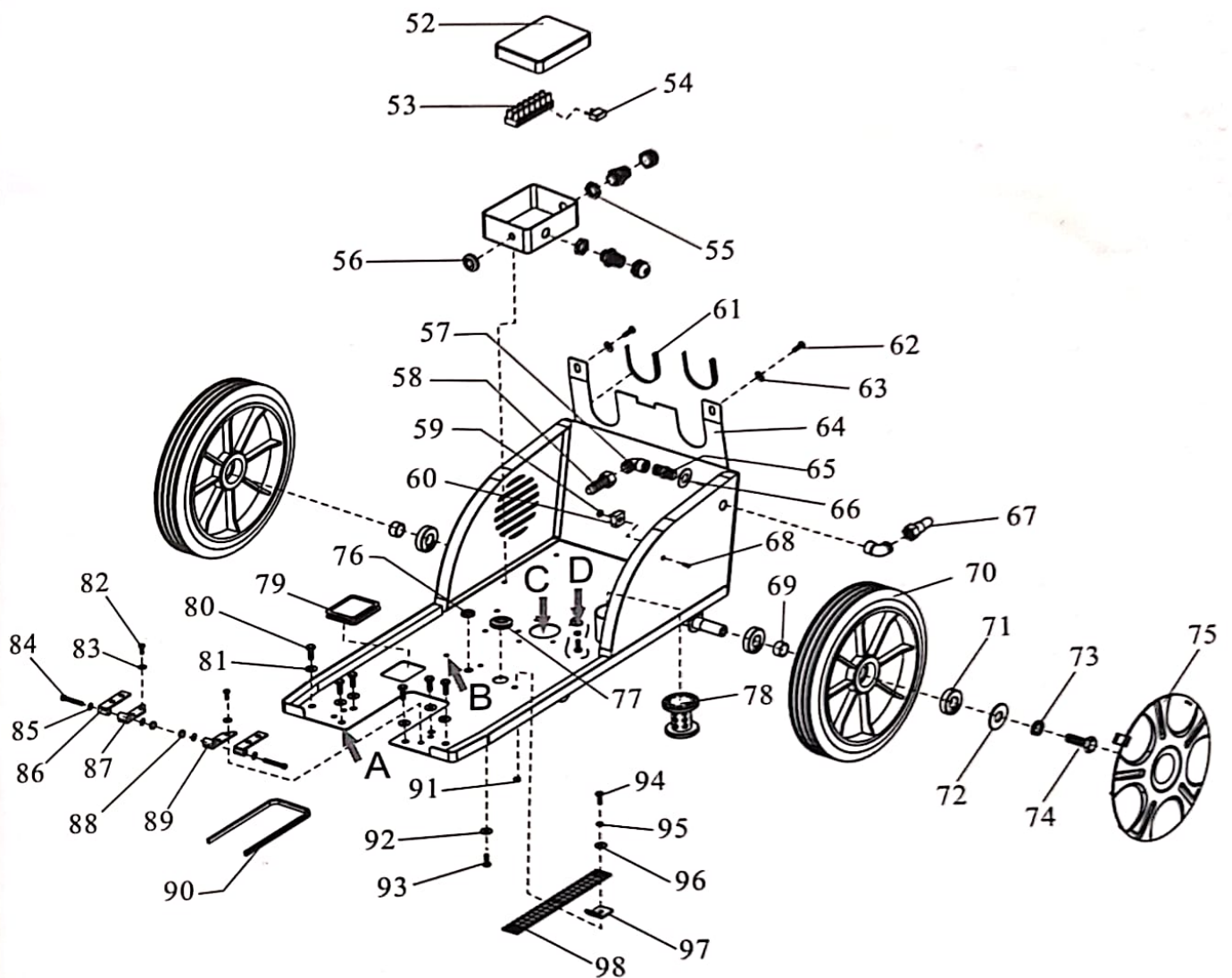
## Disconnection diagram 1 of machine components

1. Sewage tank cover
2. Sewage tank seal ring
3. Sewage tank
4. Steel PM5×10
5. Steel Ø5×10×1 Flat washer
6. 461 drain pipe components
7. Black flower copper
8. X-2 19#
9. Steel M6 Nut
10. Blow-off pipe stopper
11. Steel Ø6×16×1.5 Flat washer
12. Steel hex 6×60
13. Eight-shaped strip for discharge pipe
14. 461-06B
15. 600mm twin adapter for steel wire tube
16. Floating ball support
17. 45° elbow (Ø40 pipe)
18. Ø40 pipe (50mm)
19. 90° elbow (Ø40 pipe)
20. Inner threaded straight-through (Ø40 pipe)
21. Outer threaded straight-through (Ø40 pipe)
22. Ø40 pipe (60mm)
23. Hose clamp 33×51
24. Twin adapter for steel wire tube
25. Steel wire bend pipe
26. Steel TAH4×15
27. Iron plate
28. Steel PM6×25
29. Spring washer Ø6
30. Control base
31. 220V green switch for outlet
32. Secondary switch
33. Overload protector 5A
34. Steel PM4×10
35. Steel Ø4×10×1 Flat washer
36. Water tank screw
37. U-shaped hook
38. PG9 extended spring
39. 1.8m × 1.5 m<sup>2</sup> three-shallow plug sheathed cable
40. Clear water tank cover
41. Steel dual ring 6.0
42. Hanging bead chain Ø5
43. Steel Ø5×10×1 Flat washer



44. Steel PM5×10
45. Steel Ø4×10×1 Flat washer
46. Steel TAH4×15
47. Filter cover
48. Clear water tank
49. 1.3m 7 × 1.5 m<sup>2</sup> sheathed cable
50. R-shaped wire clamp
51. Inner/outer teeth straight valve 1/4

## Disconnection diagram 2 of machine components



52. Waterproof box 115×90×55

53. 7-position terminals

54. 250V 0.22uF capacitor

55. PG13.5

56. Protective coil Ø8

57. Inner / outer elbow 1/2

58. 1/2 Inner threaded straight-through Ø10

59. Steel M5 Nut

60. 1510 Rectifier

61. U-shaped decoration strip

62. Steel hex 8×16

63. Steel Ø8×20×1.5 Flat washer

64. Housing base plate

65. 1/2 dual outer threaded straight-through

66. Steel 13.5×26×1.5 Flat washer

67. Quick connector 1/2 (male plug)

68. Steel TM5×16

69. Axle sleeve Ø15×19×14

70. Small buffalo-made rear wheel

71. Bearing 6202

72. Steel Ø8×20×1.2 Flat washer

73. Spring washer Ø8

74. Steel hex 8×16

75. Small buffalo-made wheel cap

76. Wire protection bushing Ø10

77. Wire protection bushing Ø16

78. Acoustic filter

79. Square decoration strip

80. Steel hex 8×16

81. Steel Ø8×20×1.5 Flat washer

82. Steel hex 6×16

83. Steel Ø6×12×1.5 Flat washer

84. Steel CM5×40

85. Steel Ø5×11×1 Flat washer

86. Rotating A

87. Rotating B2

88. Tapping nut M5

89. Rotating B1

90. Decoration strip

91. Steel M6 Nut

92. Steel Ø5×11×1 Flat washer

93. Steel hex 5×20

94. Steel TM6×15

95. Spring washer Ø6

96. Steel Ø6×16×1.5 Flat washer

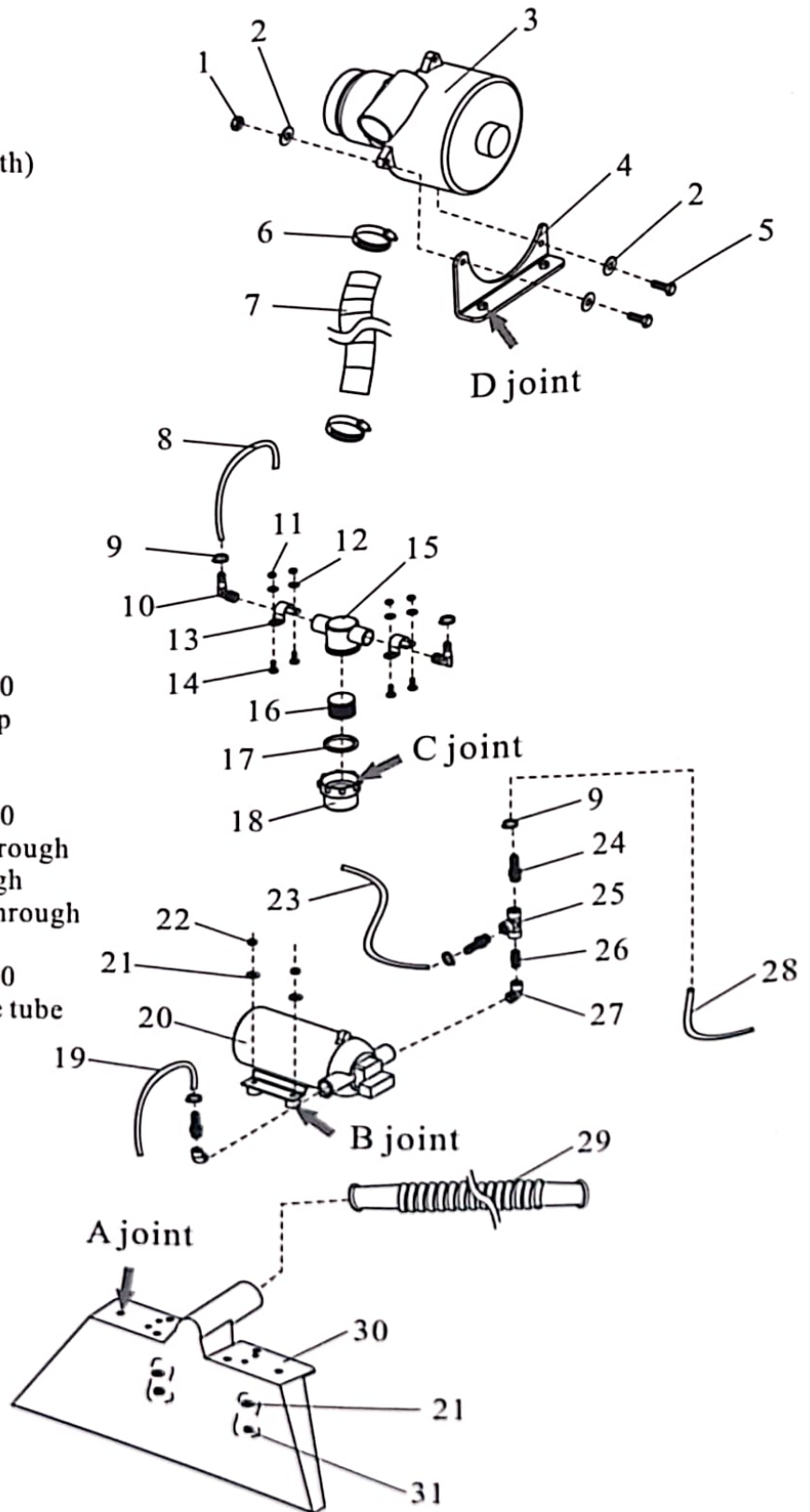
97. Harness pressure

98. Water tank harness



# Extraction Components

1. Self-lock steel nut M6
2. Steel  $\text{Ø}6 \times 16 \times 1.5$  Flat washer
3. Italian three-level motor (with mouth)
4. Extension bracket
5. Steel hex  $6 \times 25$
6. Hose clamp  $33 \times 51$
7. Exhaust duct (300mm)  $\text{Ø}57$
8.  $\text{Ø}10 \times 16$  Wire tube 400mm
9. Hose clamp 13-19
10. Outer elbow  $1/2$  threaded  $\text{Ø}10$
11. Tapping nut M4
12.  $\text{Ø}4 \times 9 \times 0.8$  Flat washer
13. Steel tube yard  $1/4$
14. Steel  $\text{TM}4 \times 10$
15. Three-in-one filter base
16. Three-in-one filter screen
17. Three-in-one rubber ring
18. Three-in-one filter cover
19. 200mm glass fiber rubber tube  $\text{Ø}10$
20. 220V inner circulating water pump
21. Steel  $\text{Ø}6 \times 12 \times 1.5$  Flat washer
22. Steel hex  $8 \times 16$
23. 500mm glass fiber rubber tube  $\text{Ø}10$
24.  $1/3$  outer threaded  $\text{Ø}10$  straight-through
25.  $1/3$  inner threaded straight-through
26.  $1/3$  dual outer threaded straight-through
27. Inner / outer elbow  $1/3$
28. 320mm glass fiber rubber tube  $\text{Ø}10$
29. 950mm twin adapter for steel wire tube
30. Suction head
31. Tapping nut M6



## Disconnection diagram of roller brush components

1. Roller brush lifting pedal
2. Adjustable secondary mesoporous
3. Steel hex 6×18
4. Tapping nut M6
5. Adjustable bolt
6. Lifting mainframe
7. Steel hex 6×25
8. Ø6×12×1.5 Flat washer
9. Wire protection bushing Ø10
10. Wire protection bushing Ø16
11. 3-in-1 rubber ring 0.8×0.5mm
12. Three-in-one roller brush cover (small)
13. Steel TM5×15
14. Steel TM5×10
15. Waterproof board for brush plate
16. Steel M5 Nut
17. Machine screw M5×5
18. Driving pulley (3mE24 with head)
19. TM5×15
20. Spring washer Ø5
21. Roller brush motor holder
22. Right-bended strip
23. Motor 9013-220V-0.37A
24. Spring washer Ø4
25. Tapping nut M4
26. Steel CM6×15
27. Welded frame for roller brush
28. Steel hex 6×15
29. Square water injection tube
30. Nozzle
31. 1/2 outer threaded Ø10 straight-through
32. Inner / outer elbow 1/2
33. Steel hex 6×10
34. Spring washer Ø6
35. Belt (3M-447)
36. Snap ring for axle Ø8
37. Driven pulley (3mE40)
38. Three-in-one carpet extractor
39. Bearing 608
40. Roller brush bearing
41. Hose clamp 13-19
42. 1/2 outer elbow threaded Ø10
43. Solenoid valve (E1-V60)
44. 1/2 dual outer threaded straight-through
45. Drain valve holder
46. 1/2 inner/outer threaded Ø10 straight-through

