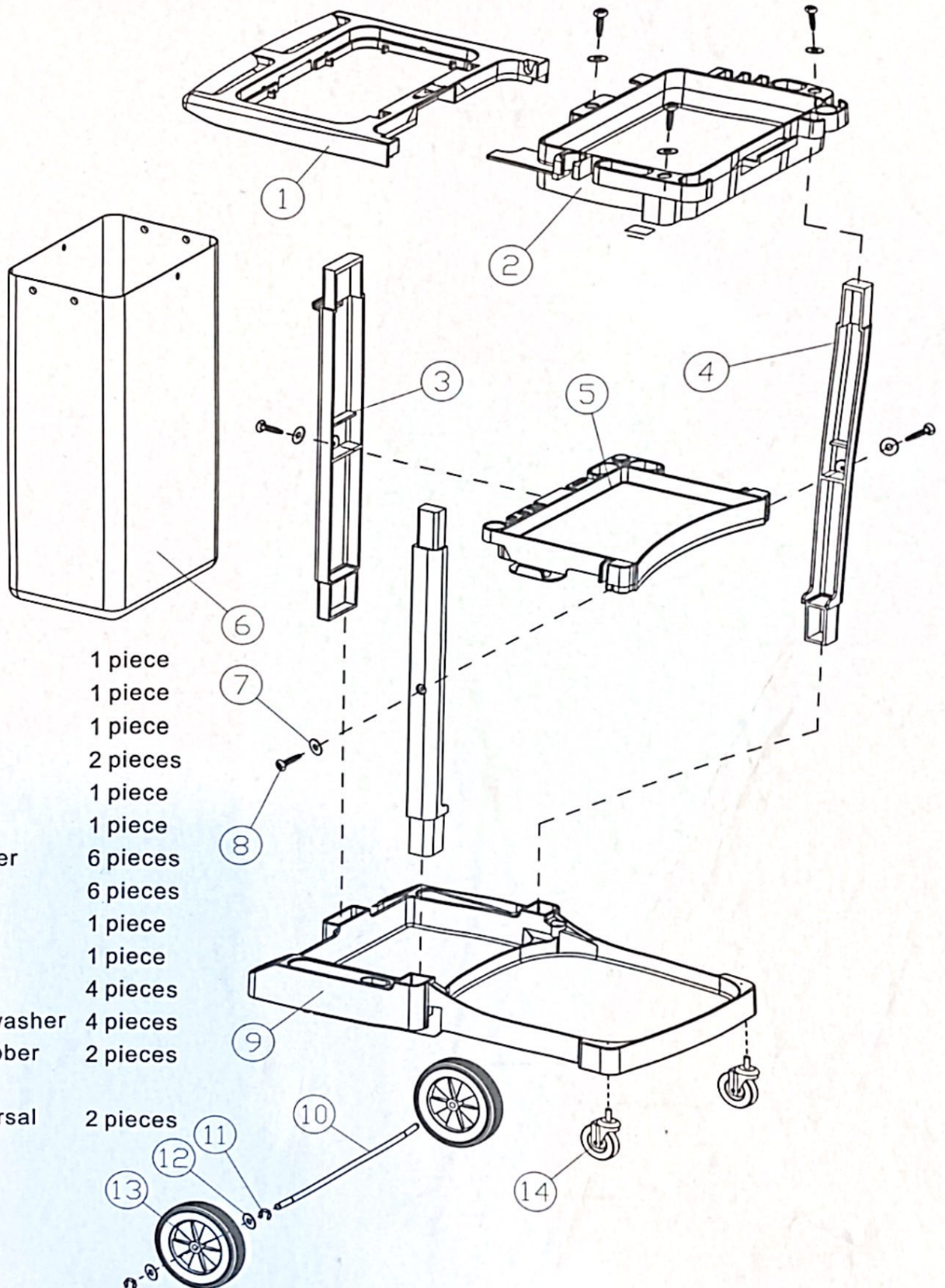


D-11C Cleaning trolley

Installation instructions



- | | |
|------------------------------|----------|
| 1. Pushing hands | 1 piece |
| 2. upperframe | 1 piece |
| 3. Large upright | 1 piece |
| 4. Small upright | 2 pieces |
| 5. Middle shelf | 1 piece |
| 6. Linen bag | 1 piece |
| 7. Ø6X18X1 washer | 6 pieces |
| 8. TAH6X16 | 6 pieces |
| 9. Undershelf | 1 piece |
| 10. Trailing axle | 1 piece |
| 11. Circlip Ø10 | 4 pieces |
| 12. Ø13X24X1.2 washer | 4 pieces |
| 13. 8X1.75 gray rubber wheel | 2 pieces |
| 14. 3 inches universal wheel | 2 pieces |