

Glass with wall support

- Glass with wall support.
- Durability and resistance against corrosion.
- Satin finished stainless steel.



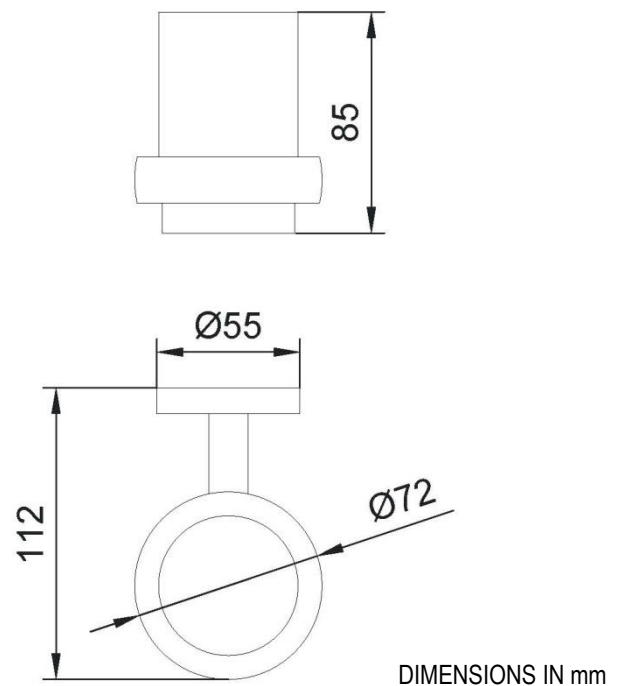
TECHNICAL DATA

- Made of AISI 304 stainless steel.
- Dimensions: 85 height x 72 width x 112 depth (mm).
- Hidden wall fixations included.

SUGGESTED TEXT FOR PRESCRIPTION

NOFER glass with support made of AISI 304 stainless steel.
Dimensions: 85 height x 72 width x 112 depth (mm).

TECHNICAL DRAWING



NOFER S.L.
Avenida de la fama, 118
08940 · Cornellà de Llobregat (Barcelona)
Tel +34 934 742 423 · Fax +34 934 743 548
export@nofer.com · www.nofer.com

Related Products



16850.S

16852.S

16853.S

16854.S

16855.S

16856.S