

Automatic air injected hand dryer V300


- High range of hand dryer. It works with air currents at high speed without using hot air.
- High performance and efficiency. Consumes up to 85% less than others hand dryers.
- Microban® Antibacterial protection included in the plastic at the point of manufacture.
- With water tank and dust filter included.
- Includes a cleaning brush to prevent or solve blockage problems produced by dirt.
- Suitable for collectivities and places of very high frequency of use.
- Robust, anti-vandalism and safe because it's built without sharp edges or other dangerous elements.
- In accordance with European safety directives (EC).

TECHNICAL DATA

- Exterior Shell and water tank made of high impact ABS of 2,6 mm thickness.
- Exit temperature of the air at an ambient temperature of 20°C.
- 2 universal type motors with brushes (maintenance required).
- Motor speed of 30000 r.p.m.
- Air speed: 370 km/h.
- Total power of 1760 W.
- Motor power: 1760 W.
- Voltage/Frequency: 220-240 V – 50/60 Hz. 110/120 V version available (consult).
- Electric isolated: Class II.
- Automatic stop due to vandalism.
- Maximum consume of 8 A.
- Audible pressure at 2 meters: 70 dBA.
- Index protection: IPX1.
- Dimensions: 617 height x 300 width x 195 depth (mm).
- Weight: 9,55 kg.
- Function: place your hands in the inner channel of the device, without the need to move them.
- Cleaning: is recommended with a cotton cloth slightly moistened in a soapy solution. Then, dry it.
- Estimated drying time: 1-15 seconds.

SUGGESTED TEXT FOR PRESCRIPTION

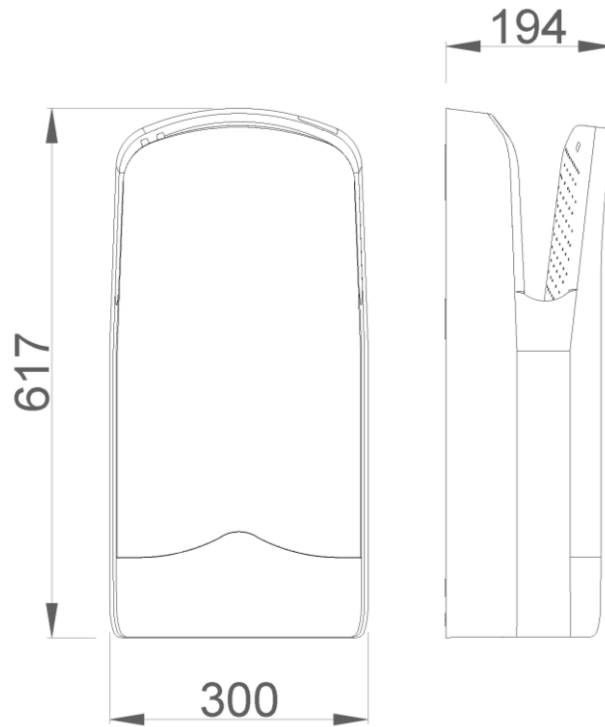
NOFER hand dryer, by injected air activated by sensor, motor 1760 W of power without using hot air. ABS case white color. Dimensions: 617 height x 300 width x 195 depth (mm).



NOFER S.L.
 Avenida de la fama, 118
 08940 · Cornellà de Llobregat (Barcelona)
 Tel +34 934 742 423 · Fax +34 934 743 548
 nofer@nofer.com · www.nofer.com

Related Products

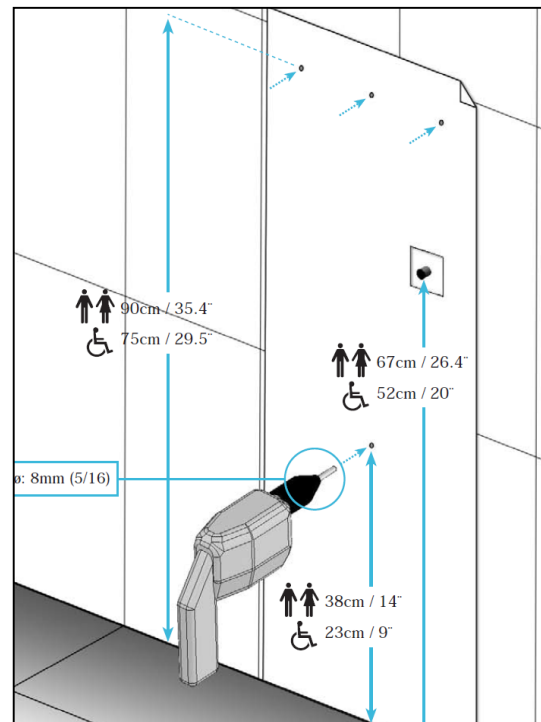
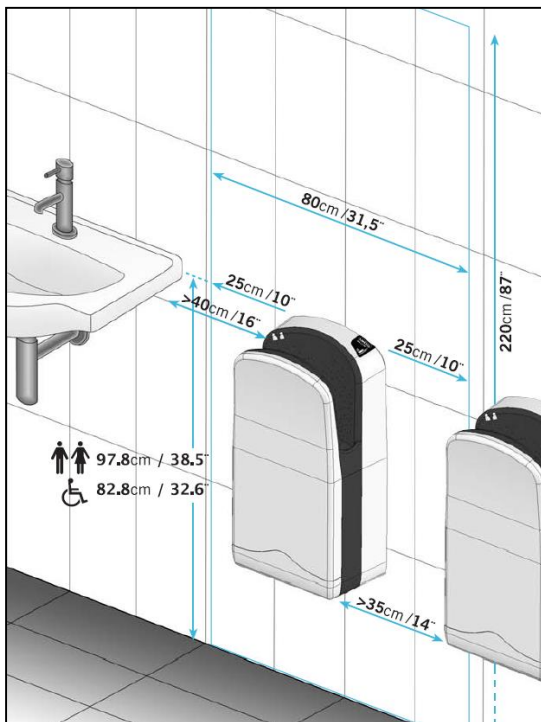
01101.B
01151.W
01250.B
01600.S
01851.W
01451.S

TECHNICAL DRAWING


DIMENSIONS IN mm

INSTALLATION

In toilet areas with a high frequency use, the recommendation is to install on hand dryer for each toilet. In toilet areas with a lower frequency of use, the recommendation is to install one hand dryer for every two sinks or two dryers for every three washbasins. Installation should be as shown in pictures both for standard or adapted bathrooms.



NOFER S.L.
 Avenida de la fama, 118
 08940 · Cornellà de Llobregat (Barcelona)
 Tel +34 934 742 423 · Fax +34 934 743 548
 nofer@nofer.com · www.nofer.com