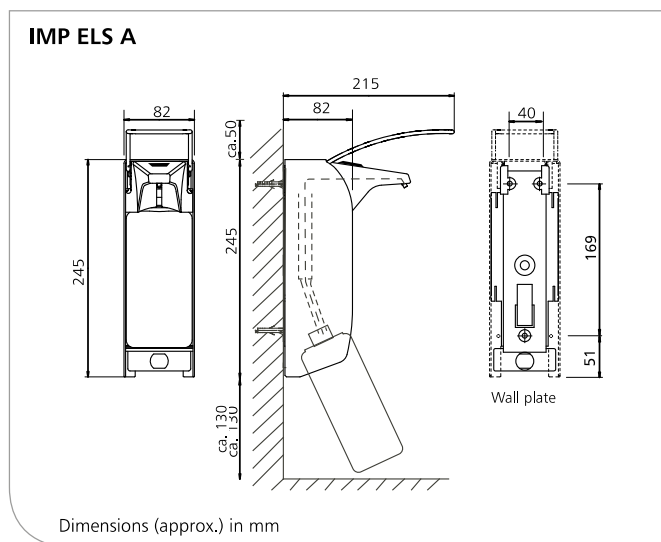




IMP ELS A - IMP TLS A

Soap-/disinfectant dispenser for disposable bottles as well as refillable containers and hygiene packages, aluminium housing, long operating lever, 500 ml or 1000 ml



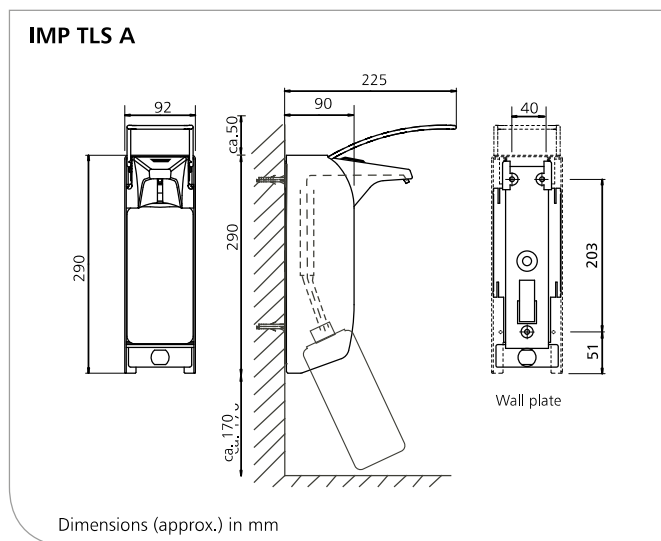
Product characteristics

- ▶ Dispenser for liquid soaps without grit, alcoholic hand disinfectants, lotion, massage oil, etc.
- ▶ For 500 ml or 1000 ml disposable bottles as well as refillable containers and hygiene packages
- ▶ With replaceable pump
- ▶ Pivoting face shield for simple pump replacement from the front without having to remove the dispenser from the wall
- ▶ Incl. mounting kit for three-point wall mounting

Interesting information

References: ▶ Clinics, doctors' practices, health and care facilities, laboratories, rescue stations, commercial kitchens, foodstuffs industry, commercial and industrial operations

Application examples: ▶ Particularly well suited to areas where hand hygiene is critical and in medical and food processing areas



Technical data

Housing: Aluminium, anodised matt silver
 Dosing pump: IMP 24 series stainless steel pump, standard pump, angled stainless steel suction tube, autoclavable, stainless steel pump cylinder
 Dispensing quantity: Dispensing quantity adjustable to ca. 0.75 ml/1.0 ml/1.2 ml/1.5 ml (depending on the viscosity of the filling material)
 Operating lever: Stainless steel
 Wall plate: Standard ingo-man® plastic wall plate
 Wall mounting: Wall mounting with 3 screws and wall plugs
 Cleaning: Dispenser and standard pump dishwasher-safe and autoclavable up to 134° C, 2 bar

Description for tender - see overleaf

IMP ELS A - IMP TLS A 1016/1.0



Subject to technical modifications.
 Tests are required before new filling materials are used!

IMP ELS A - IMP TLS A

Soap-/disinfectant dispenser for disposable bottles as well as refillable containers and hygiene packages,
Aluminium housing, long operating lever, 500 ml or 1000 ml

Description for tender

... Pcs. **ingo-man® plus IMP ELS A/24**
Art. No. 1416000
Soap-/disinfectant dispenser, 500 ml, suitable for standard disposable bottles, refillable containers and hygiene packages, matt silver anodised aluminium housing, long stainless steel operating lever, with identification clip, incl. empty bottle, replaceable IMP 24 series stainless steel pump, easy pump replacement through front removal, autoclavable and dishwasher-safe
Dimensions: W 82 x H 245 x D 215 mm

... Pcs. **ingo-man® plus IMP TLS A/24**
Art. No. 1415993
Soap-/disinfectant dispenser, 1000 ml, suitable for standard disposable bottles, refillable containers and hygiene packages, matt silver anodised aluminium housing, long stainless steel operating lever, with identification clip, incl. empty bottle, replaceable IMP 24 series stainless steel pump, easy pump replacement through front removal, autoclavable and dishwasher-safe
Dimensions: W 92 x H 290 x D 225 mm

... Pcs. **ingo-man® plus IMP ELS A/25**
Art. No. 1417557
Soap-/disinfectant dispenser, 500 ml, suitable for standard disposable bottles, refillable containers and hygiene packages, matt silver anodised aluminium housing, long stainless steel operating lever, with identification clip, incl. empty bottle, replaceable IMP 25 series stainless steel pump, easy pump replacement through front removal, autoclavable and dishwasher-safe
Dimensions: W 82 x H 245 x D 215 mm

... Pcs. **ingo-man® plus IMP TLS A/25**
Art. No. 1417597
Soap-/disinfectant dispenser, 1000 ml, suitable for standard disposable bottles, refillable containers and hygiene packages, matt silver anodised aluminium housing, long stainless steel operating lever, with identification clip, incl. empty bottle, replaceable IMP 25 series stainless steel pump, easy pump replacement through front removal, autoclavable and dishwasher-safe
Dimensions: W 92 x H 290 x D 225 mm

... Pcs.

... Pcs.

... Pcs.

... Pcs.

ingo-man® plus IMP ELS A/K

Art. No. 1417558
Soap-/disinfectant dispenser, 500 ml, suitable for standard disposable bottles, refillable containers and hygiene packages, matt silver anodised aluminium housing, long stainless steel operating lever, with identification clip, incl. empty bottle, replaceable plastic pump, easy pump replacement through front removal, autoclavable and dishwasher-safe
Dimensions: W 82 x H 245 x D 215 mm

ingo-man® plus IMP TLS A/K

Art. No. 1417598
Soap-/disinfectant dispenser, 1000 ml, suitable for standard disposable bottles, refillable containers and hygiene packages, matt silver anodised aluminium housing, long stainless steel operating lever, with identification clip, incl. empty bottle, replaceable plastic pump, easy pump replacement through front removal, autoclavable and dishwasher-safe
Dimensions: W 92 x H 290 x D 225 mm

ingo-man® plus IMP ELS A/KSP

Art. No. 1417559
Soap-/disinfectant dispenser, 500 ml, suitable for standard disposable bottles, refillable containers and hygiene packages, matt silver anodised aluminium housing, long stainless steel operating lever, with identification clip, incl. empty bottle, replaceable plastic spray pump, easy pump replacement through front removal, autoclavable and dishwasher-safe
Dimensions: W 82 x H 245 x D 215 mm

ingo-man® plus IMP TLS A/KSP

Art. No. 1417599
Soap-/disinfectant dispenser, 1000 ml, suitable for standard disposable bottles, refillable containers and hygiene packages, matt silver anodised aluminium housing, long stainless steel operating lever, with identification clip, incl. empty bottle, replaceable plastic spray pump, easy pump replacement through front removal, autoclavable and dishwasher-safe
Dimensions: W 92 x H 290 x D 225 mm

Product:
Manufacturer:

ingo-man® plus
OPHARDT HYGIENE-TECHNIK GmbH + Co. KG