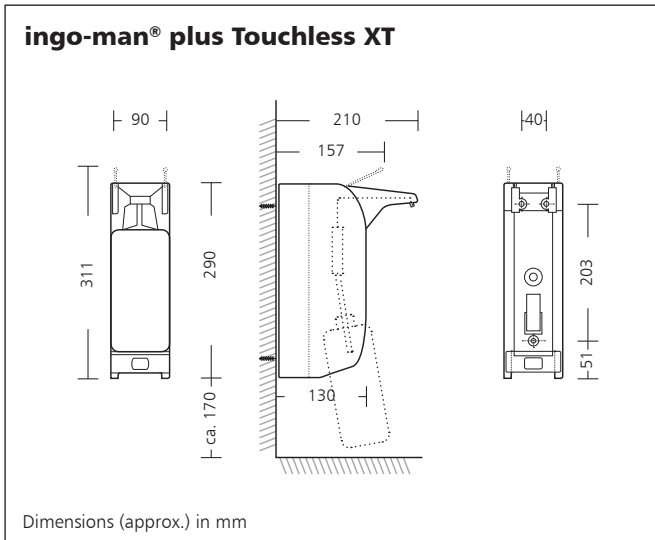


ingo-man® plus Touchless XT

dispenser for soap and disinfectant • battery operated
front removal • touchless • for disposable bottles,
refillable • with submersible emergency operating lever



Ophardt Hygiene-Technik GmbH + Co. KG
Lindenau 27 • D-47661 Issum
Tel.: +49 2835 18-0 • Fax: +49 2835 18-77
E-Mail: info@ophardt.com • www.ophardt.com

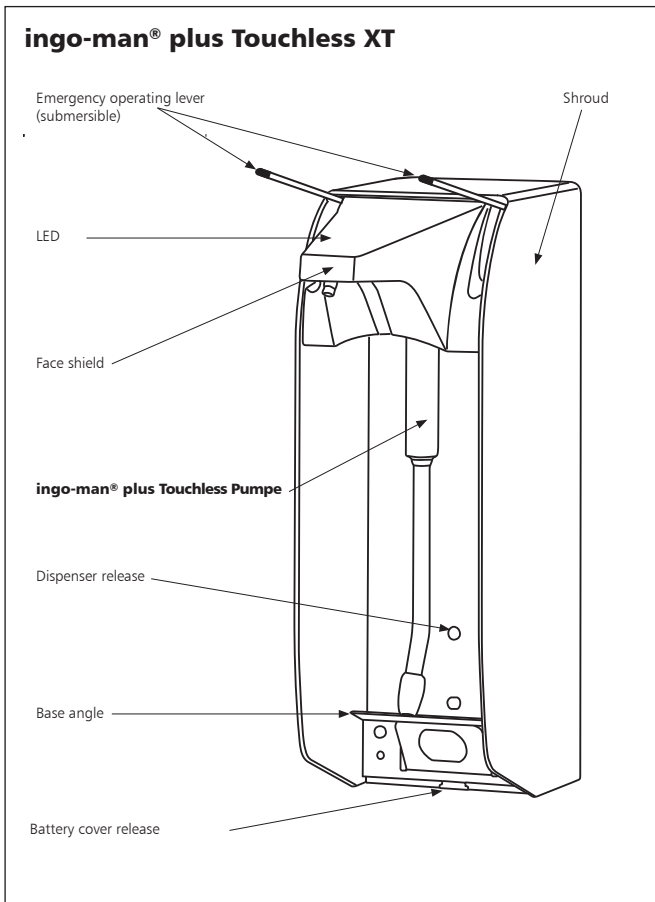


Dispenser for soap and disinfectant

- ▶ dispenses all mediums including alcohol disinfectants, liquid soaps, washing up liquids, lotions etc
- ▶ ideal for all types of medical facilities
- ▶ use standard 500 ml and 1000 ml euro bottle
- ▶ easy pump exchange from the front, no need to remove the dispenser from the wall

Technical Data

- Housing: Aluminium, silver anodized or brushed stainless steel
- Dosing pump: Stainless steel pump, autoclavable to 134°C, 2 bar
- Dosing: Dosage adjustable approx. 0.7ml/1.0ml/1.2 ml/1.5 ml (dependant on the viscosity of filling solution)
- Emergency lever: stainless steel, submersible
- Wall mounting: with 4 rawl plugs and stainless steel screws



Ausschreibungstext

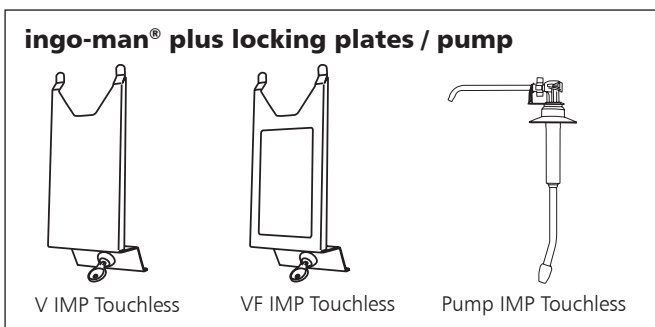
..... pcs.

IMP T A Touchless XT Art.-No. 4400726
dispenser for soap and disinfectant, 1000 ml, aluminium, silver anodized, incl. 1 euro bottle and 5 Alkaline D-batteries, touchless, 2 hand safety sensor technology, senses the hand over and under the outlet, prevents accidental activations, submersible stainless steel-emergency lever, autoclavable, dishwasher safe, removeable, stainless steel pump (no tools required)
Dimensions: B 90 x H 311 x T 210 mm

..... pcs.

IMP E A Touchless XT Art.-No. 4400727
dispenser for soap and disinfectant, 500 ml, aluminium, silver anodized, incl. 1 euro bottle and 5 Alkaline D-batteries, touchless, 2 hand safety sensor technology, Auslösung von oben sowie auch von unten, submersible stainless steel-emergency lever, autoclavable, dishwasher safe, removeable, stainless steel pump (no tools required)
Dimensions: B 90 x H 311 x T 210 mm

p.t.o.



Technical modifications reserved.
New types of disinfectants or soaps must be tested!

Continued tender:
ingo-man® plus Touchless XT



Ophardt Hygiene-Technik GmbH + Co. KG
Lindenau 27 • D-47661 Issum
Tel.: +49 2835 18-0 • Fax: +49 2835 18-77
E-Mail: info@ophardt.com • www.ophardt.com

Locking plates:

..... psc. **VF IMP Touchless A Art.-No. 2400076**
locking plate for IMP Touchless,
incl. lock and key, with window,
aluminium, silver anodized

..... psc. **V IMP Touchless A Art.-No. 2400145**
locking plate for IMP Touchless,
incl. lock and key, without window,
aluminium, silver anodized

Pumps:

..... psc. **Pump IMP T Touchless Art.-No. 1416896**
stainless steel pump for IMP Touchless, 1000 ml
dosage adjustable approx 0.75 ml/1.0 ml/
1.2 ml/1.5 ml (dependant on the viscosity of
filling solution), autoclavable and
dishwasher safe

..... psc. **Pump IMP E Touchless Art.-No. 1417696**
stainless steel pump for IMP Touchless, 500 ml,
dosage adjustable approx 0.75 ml/1.0 ml/
1.2 ml/1.5 ml (dependant on the viscosity of
filling solution), autoclavable and
dishwasher safe

Product: **ingo-man® plus**
Manufacturer: OPHARDT HYGIENE-TECHNIK GmbH + Co. KG