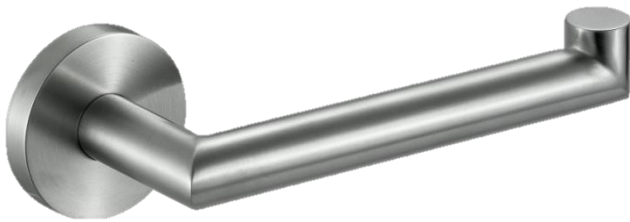


**Toilet paper holder reserve**

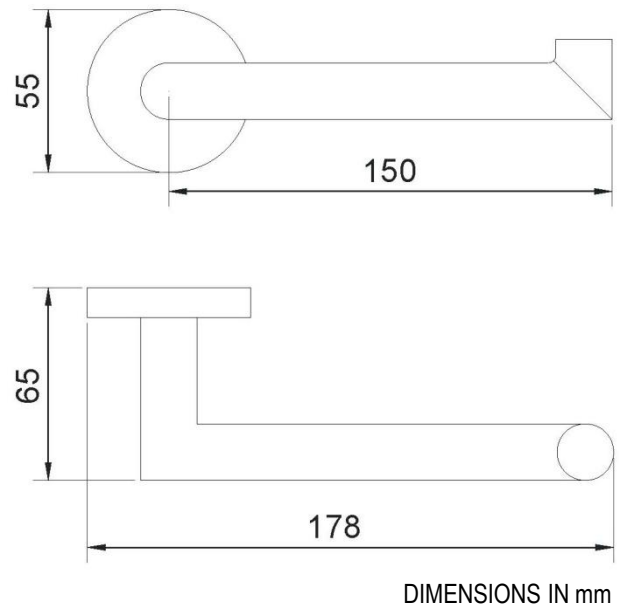
- Toilet paper holder reserve.
- Durability and resistance against corrosion.
- Suitable for public areas.


**TECHNICAL DATA**

- Made in AISI 304 stainless steel.
- Satin finished stainless steel.
- Dimensions: wall support Ø55 mm, 178 width x 65 depth (mm).
- Hidden wall fixations included.

**SUGGESTED TEXT FOR PRESCRIPTION**

NOFER toilet paper holder reserve, made in satin finished AISI 304 stainless steel. Dimensions: wall support Ø55 mm, 178 width x 65 depth (mm).

**TECHNICAL DRAWING**


NOFER S.L.  
 Avenida de la fama, 118  
 08940 · Cornellà de Llobregat (Barcelona)  
 Tel +34 934 742 423 · Fax +34 934 743 548  
 export@nofer.com · www.nofer.com

**Related Products**
